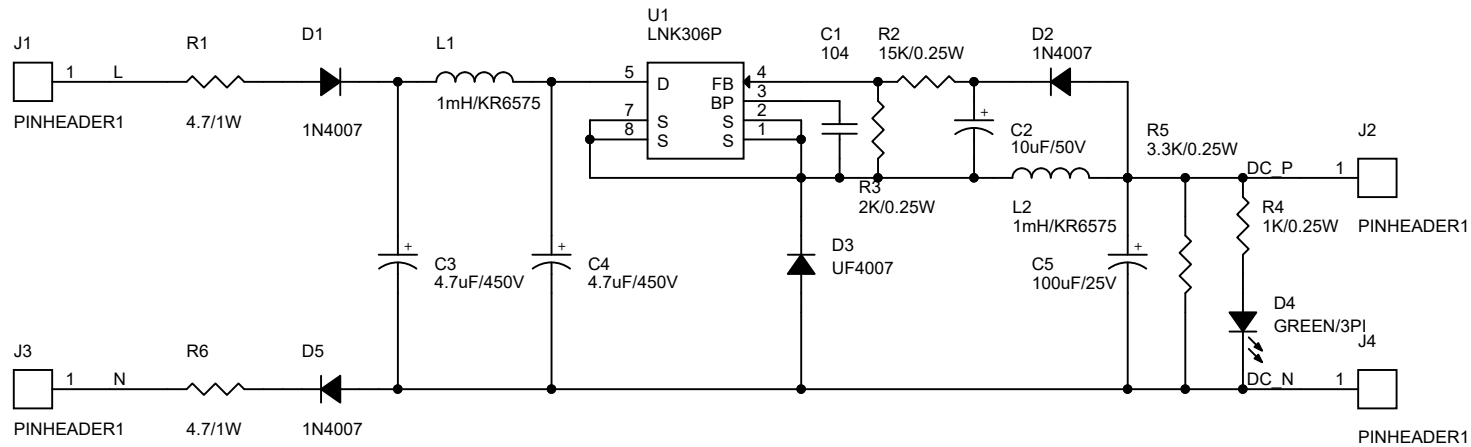



www.BoardFree.kr BL-674



		TEL: 02-1544-7192	
		FAX: 0303-0554-3035	
		E-MAIL: pcb@boardlab.net	
Date : 12/05/2022			
Model : BL-674			Rev : 1.0
Size : A4	Sheet 1 of 1	Designer : Kim Myung Soo	
Notes : First Version			