
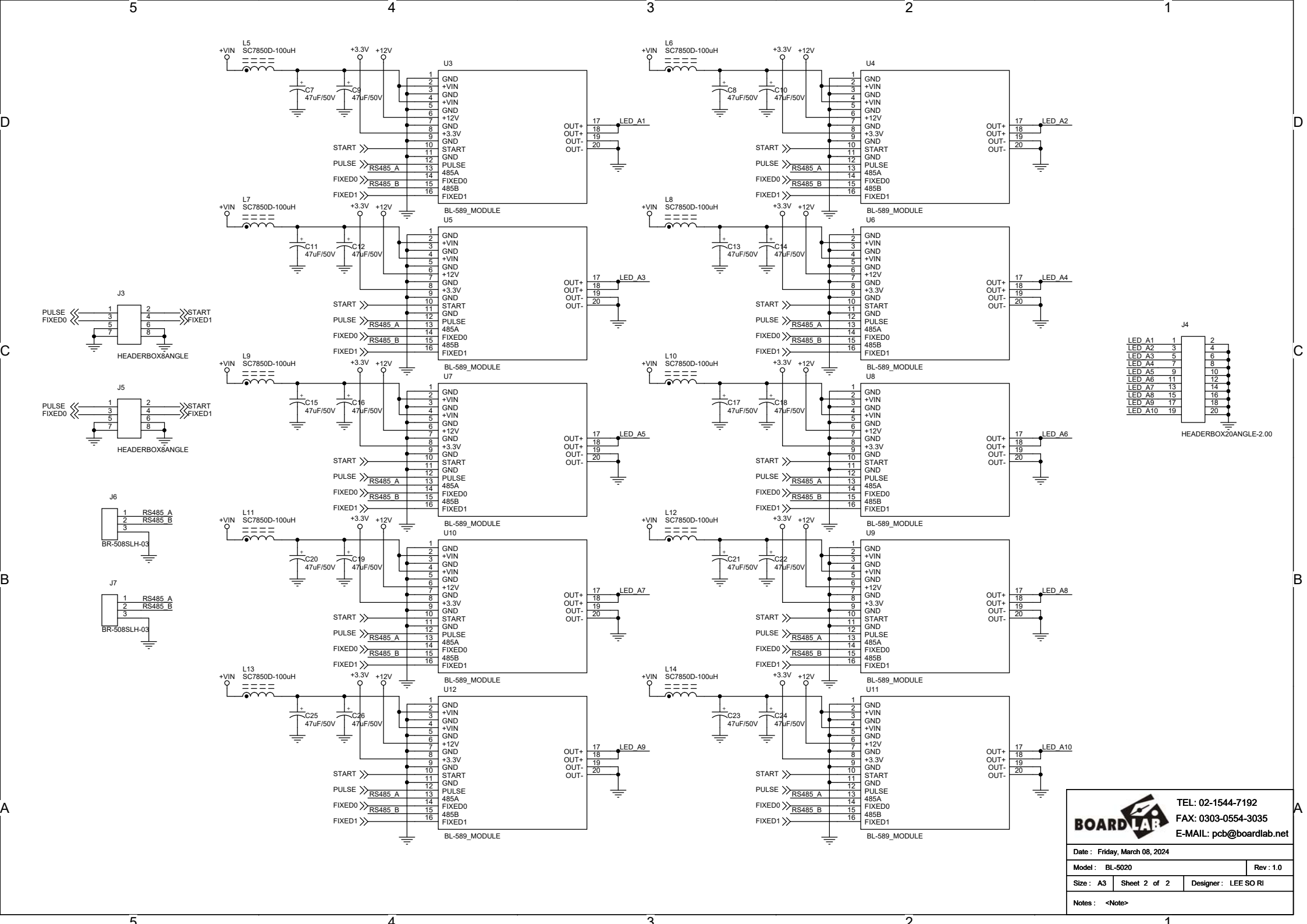


BL-5020
www.BoardFree.kr

		TEL: 02-1544-7192
		FAX: 0303-0554-3035
E-MAIL: pcb@boardlab.net		
Date : Tuesday, March 19, 2024		
Model : BL-5020		Rev : 1.0
Size : A4	Sheet 1 of 2	Designer : LEE SO RI
Notes : <Note>		



TEL: 02-1544-7192
 FAX: 0303-0554-3035
 E-MAIL: pcb@boardlab.net

Date: Friday, March 08, 2024

Model: BL-5020 Rev: 1.0

Size: A3 Sheet 2 of 2 Designer: LEE SO RI

Notes: <Note>