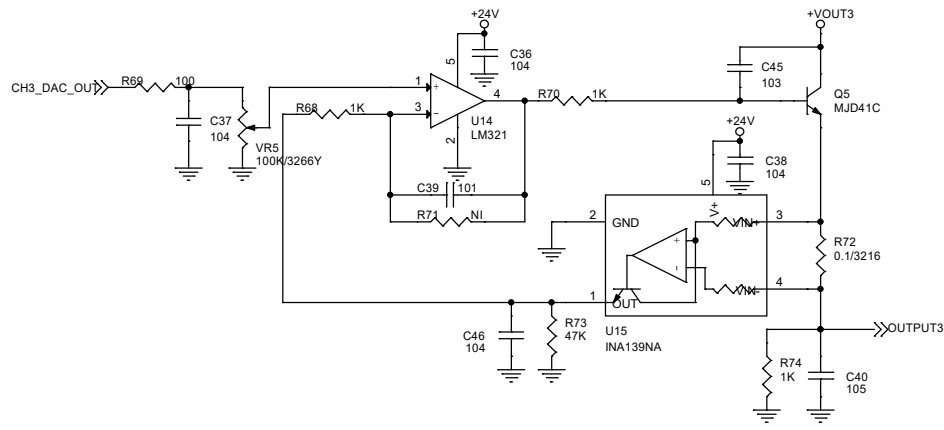
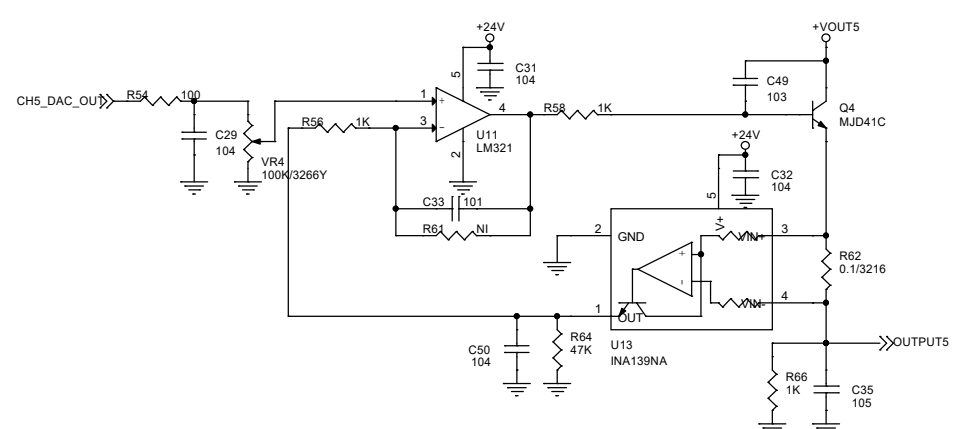
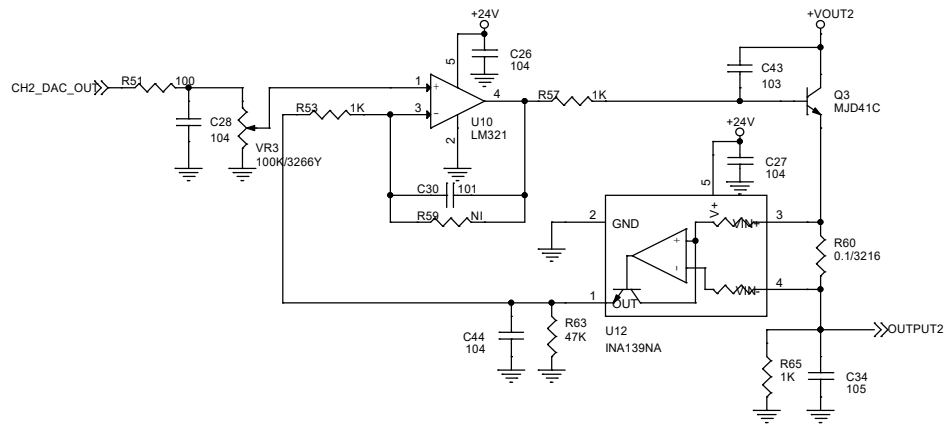
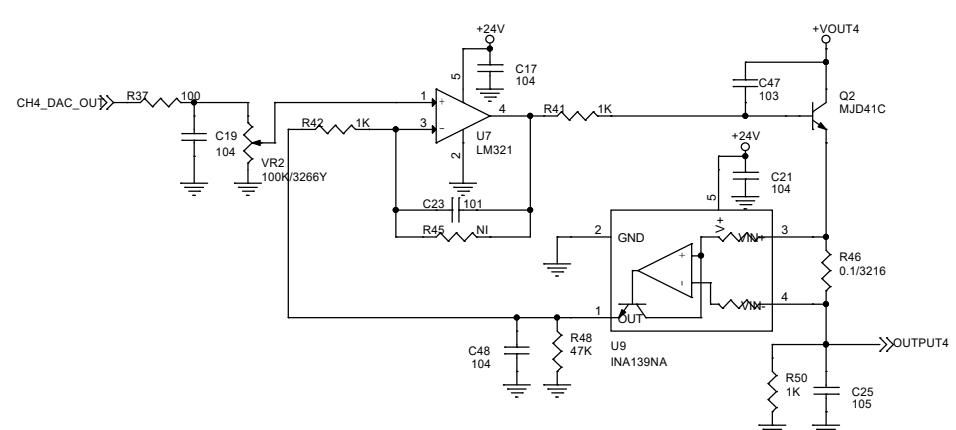
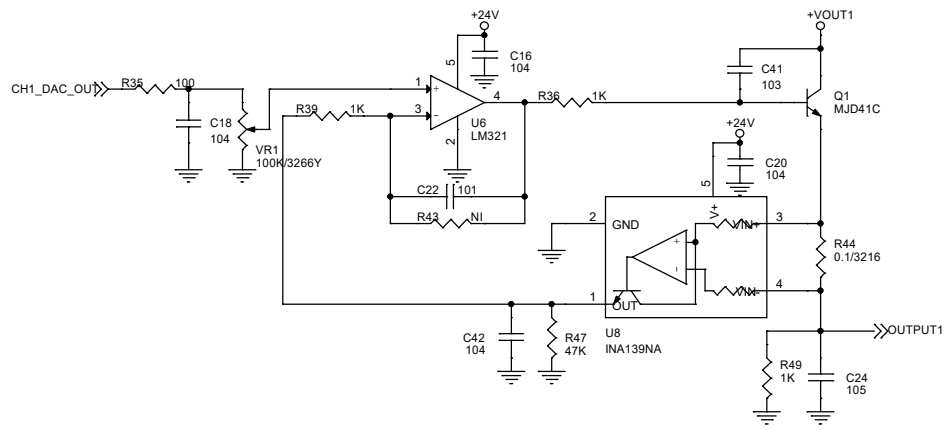


TEL: 02-1544-7192
 FAX: 0303-0554-3035
 E-MAIL: pcb@boardlab.net

Date : Monday, March 24, 2025	
Model : CONSTANT CURRENT DRIVER	Rev : 1.0
Size : A4	Sheet 1 of 2
Designer : KIM YONG PHIL	
Notes : <Note>	



BOARDLAB TEL: 02-1544-7192
 FAX: 0303-0554-3035
 E-MAIL: pcb@boardlab.net

Date : Friday, March 14, 2025		
Model :	CONSTANT CURRENT DRIVER	Rev : 1.0
Size :	A3 Sheet 2 of 2	Designer : KIM YONG PHIL
Notes : <Note>		