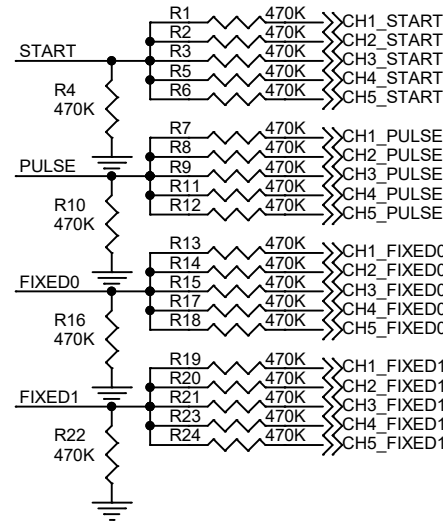
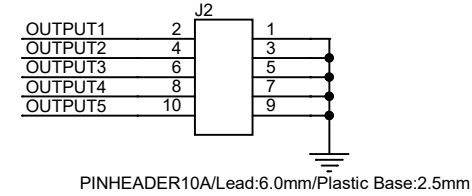
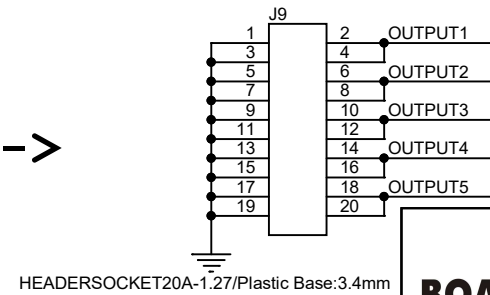
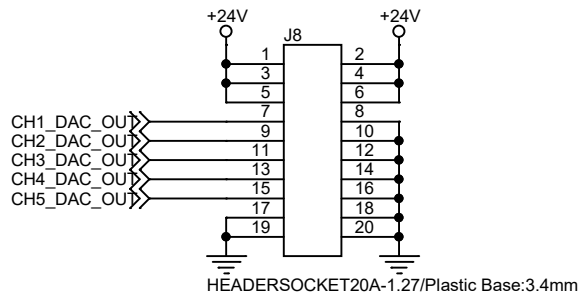


<-BASE->

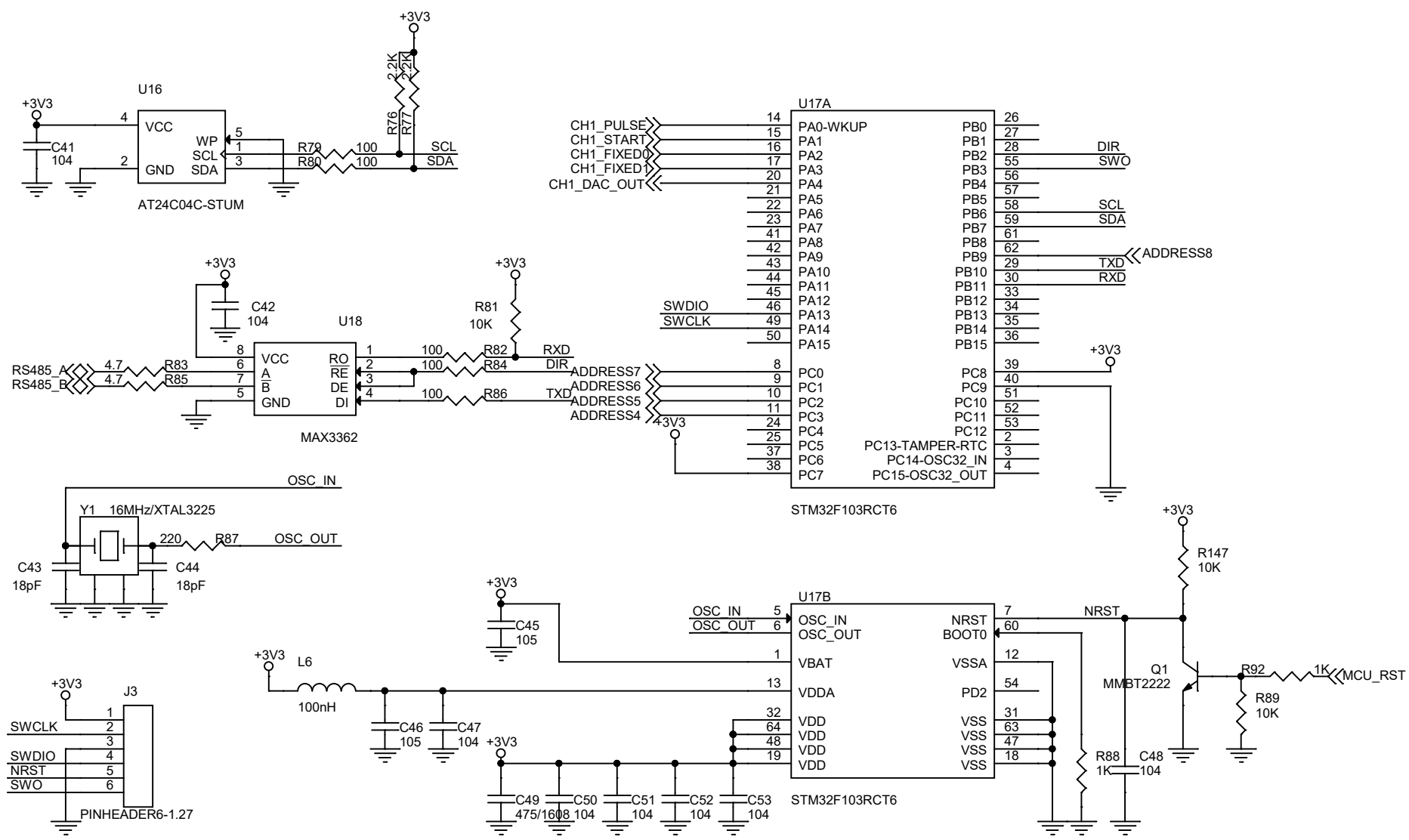



<-DRIVER->



BOARD LAB TEL: 02-1544-7192
 FAX: 0303-0554-3035
 E-MAIL: pcb@boardlab.net

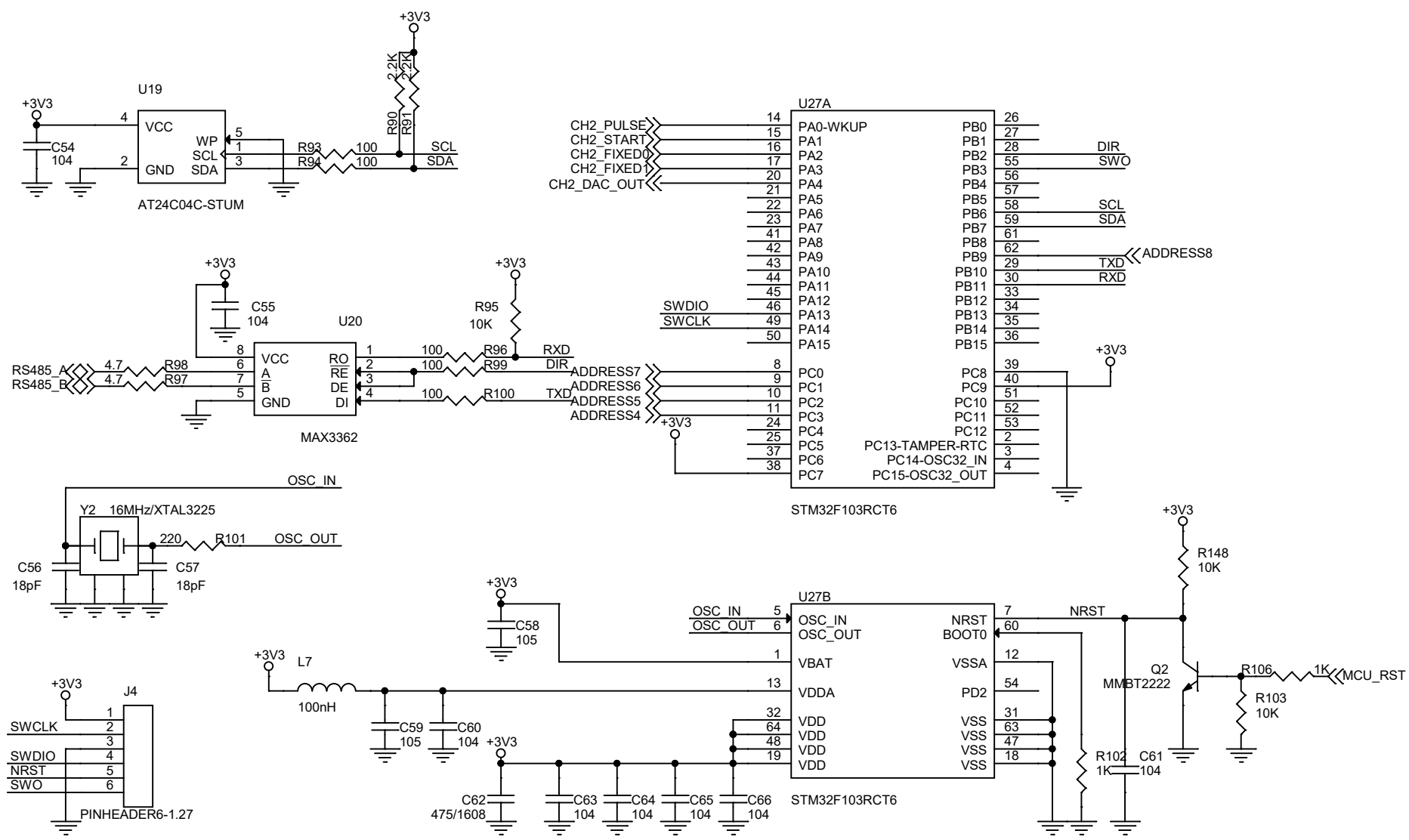
Date : Monday, March 24, 2025		
Model : CONSTANT CURRENT CONTROLLER	Rev : 1.0	
Size : A4	Sheet 1 of 6	Designer : LEE SO RI
Notes : <Note>		






TEL: 02-1544-7192
 FAX: 0303-0554-3035
 E-MAIL: pcb@boardlab.net

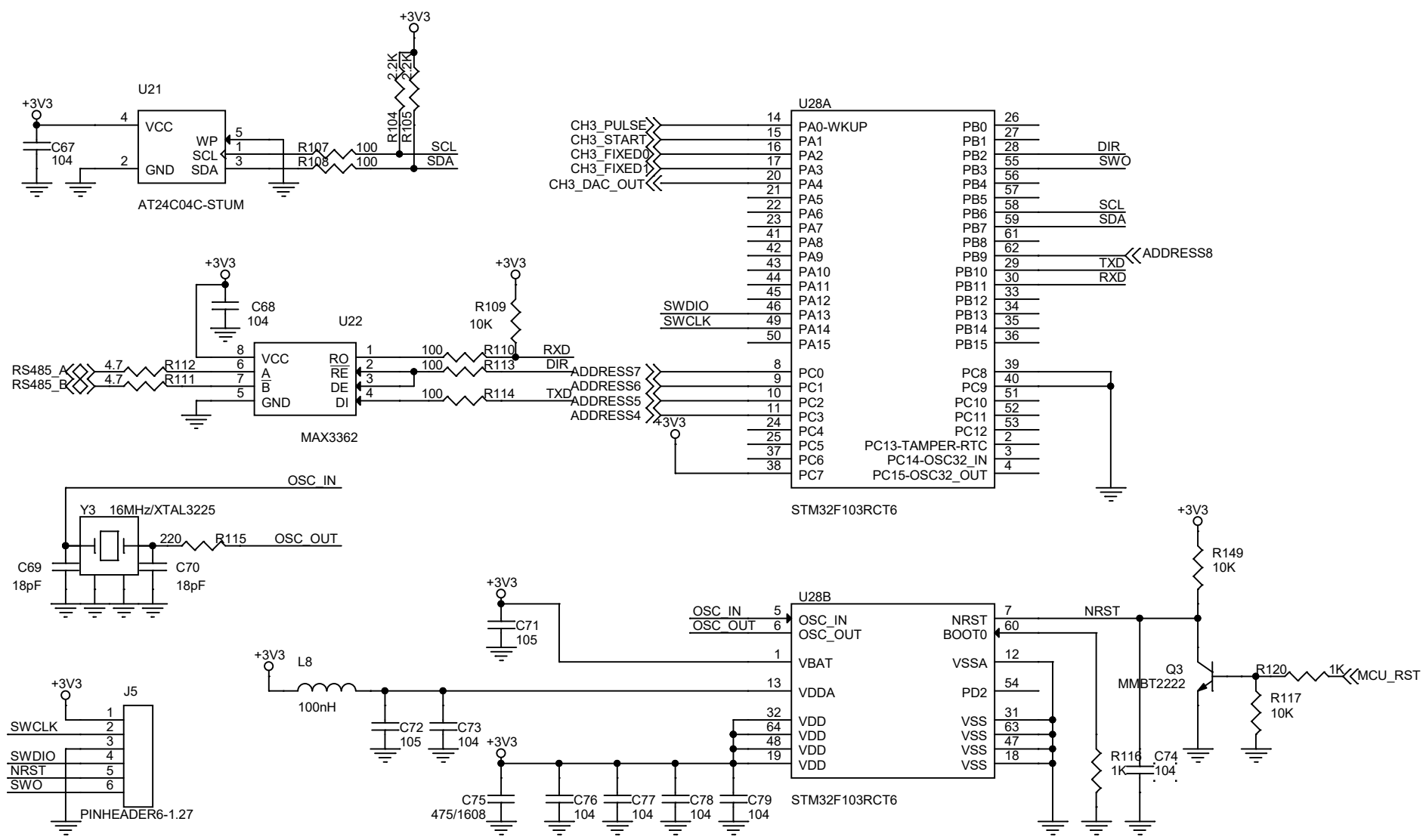
Date : Monday, March 24, 2025	
Model : CONSTANT CURRENT CONTROLLER	Rev : 1.0
Size : A4	Sheet 2 of 6
Designer : LEE SO RI	
Notes : <Note>	






TEL: 02-1544-7192
 FAX: 0303-0554-3035
 E-MAIL: pcb@boardlab.net

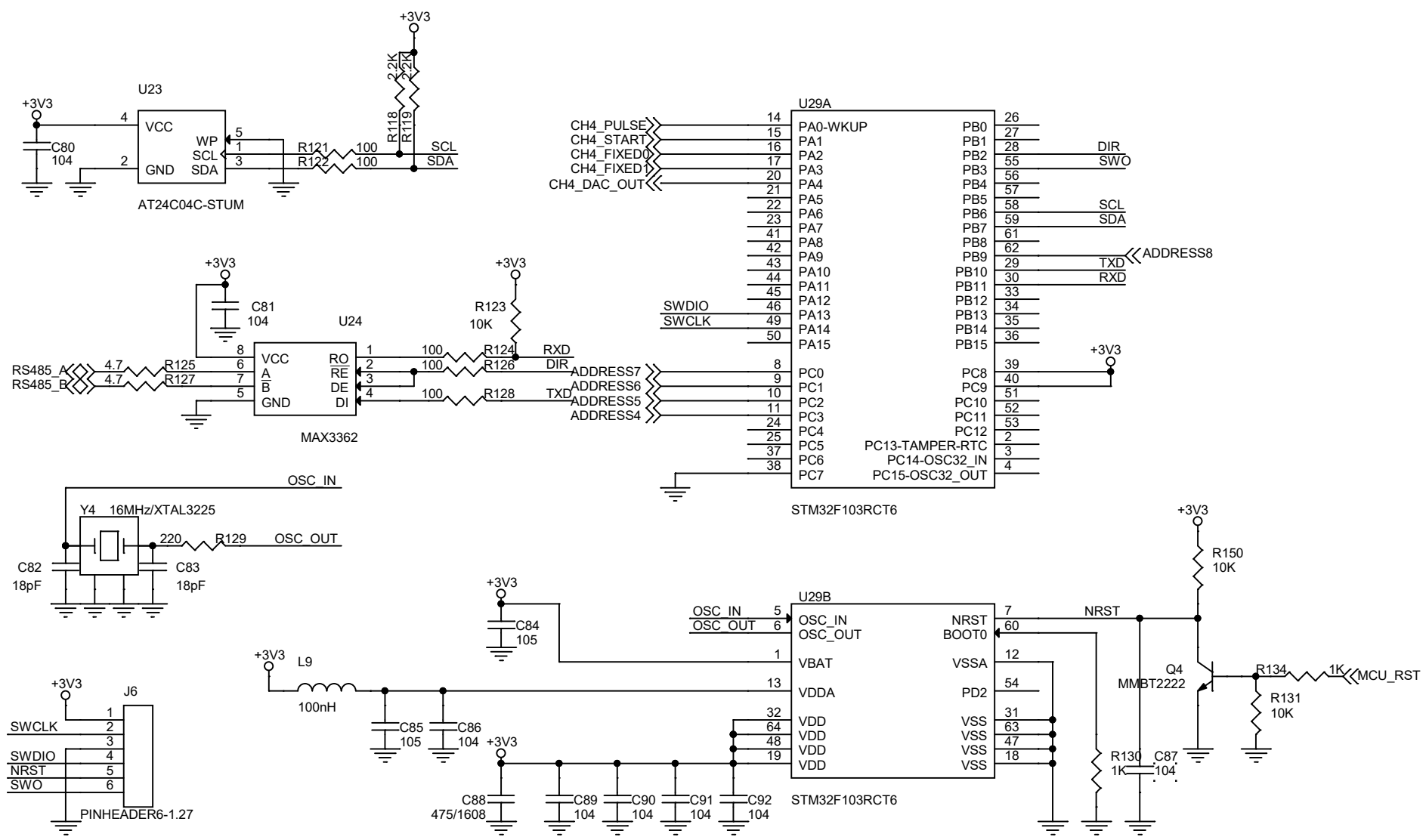
Date : Monday, March 24, 2025	
Model : CONSTANT CURRENT CONTROLLER	Rev : 1.0
Size : A4	Sheet 3 of 6
Designer : LEE SO RI	
Notes : <Note>	






TEL: 02-1544-7192
FAX: 0303-0554-3035
E-MAIL: pcb@boardlab.net

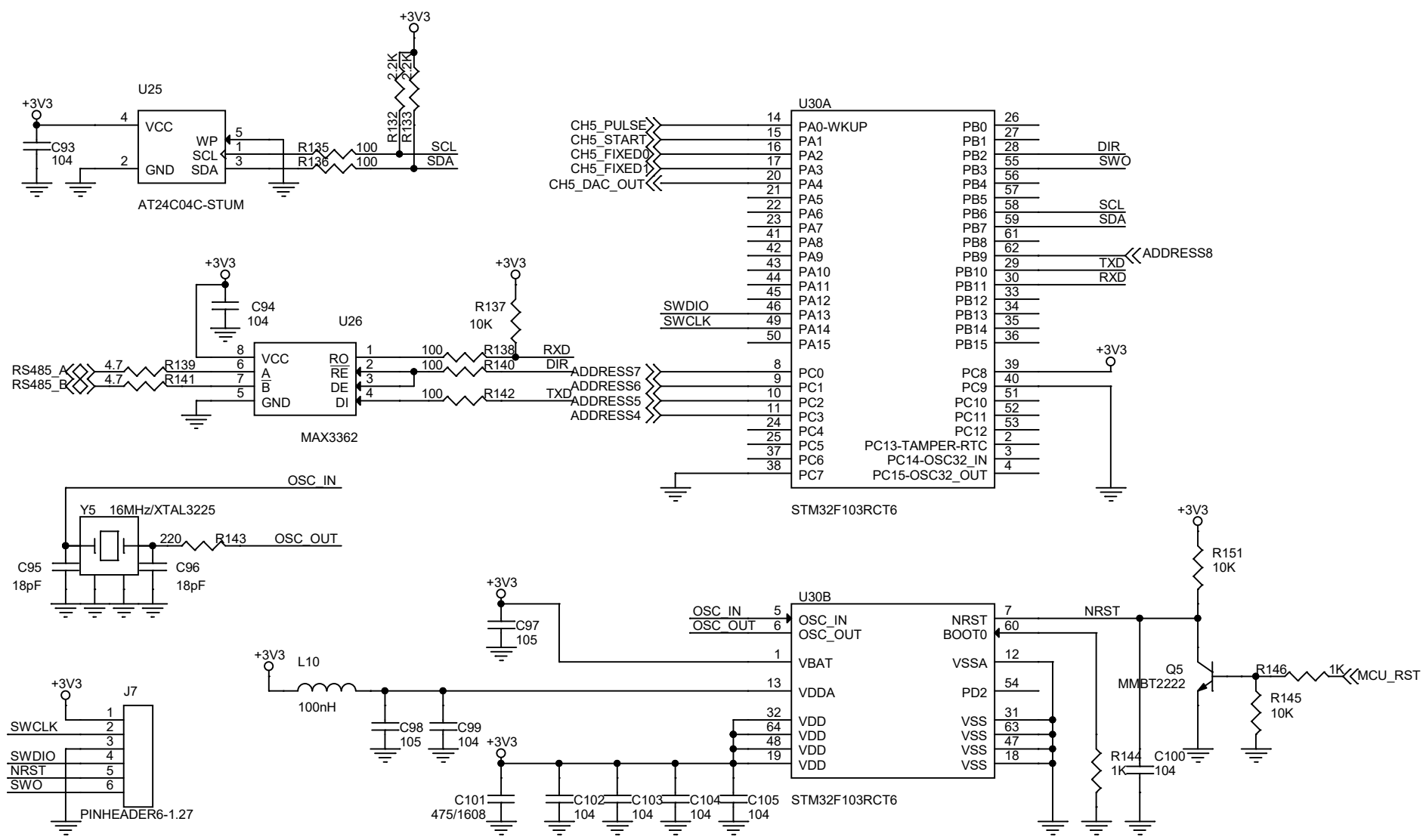
Date : Monday, March 24, 2025	
Model : CONSTANT CURRENT CONTROLLER	Rev : 1.0
Size : A4	Sheet 4 of 6
Designer : LEE SO RI	
Notes : <Note>	






TEL: 02-1544-7192
 FAX: 0303-0554-3035
 E-MAIL: pcb@boardlab.net

Date : Monday, March 24, 2025	
Model : CONSTANT CURRENT CONTROLLER	Rev : 1.0
Size : A4	Sheet 5 of 6
Designer : LEE SO RI	
Notes : <Note>	





TEL: 02-1544-7192
 FAX: 0303-0554-3035
 E-MAIL: pcb@boardlab.net

Date : Monday, March 24, 2025	
Model : CONSTANT CURRENT CONTROLLER	Rev : 1.0
Size : A4	Sheet 6 of 6
Designer : LEE SO RI	
Notes : <Note>	