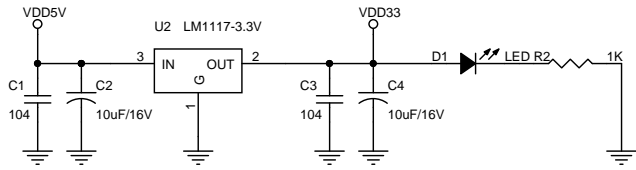
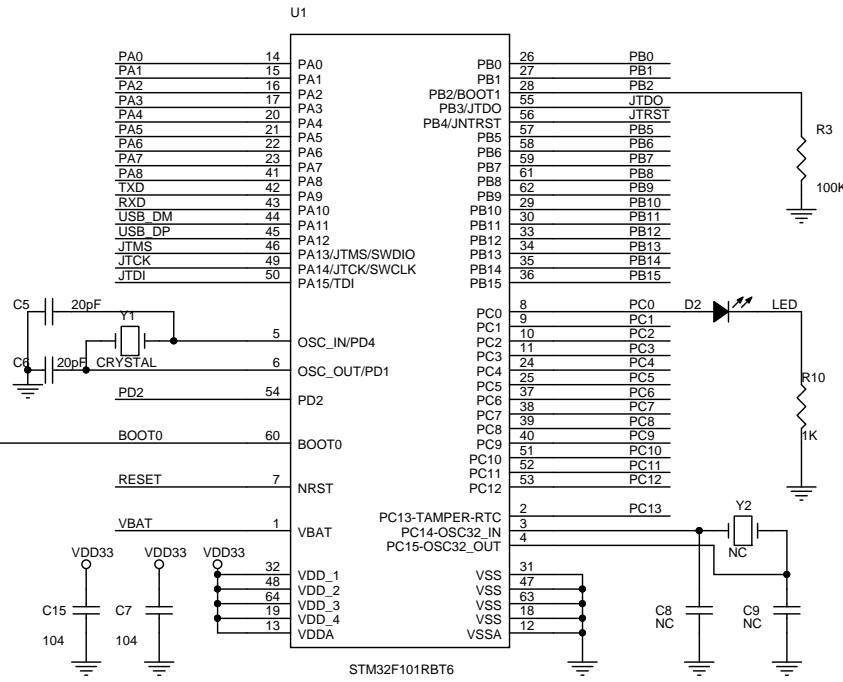


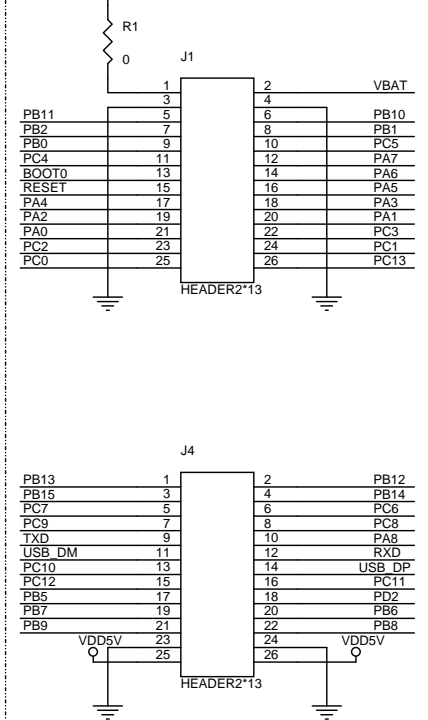
POWER



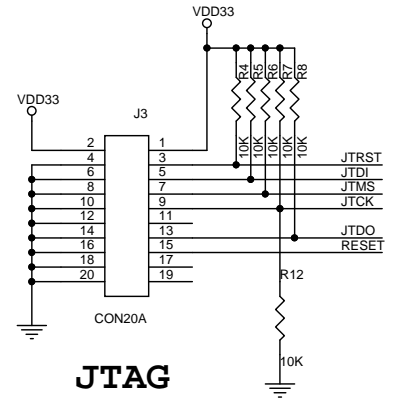
MCU



IO

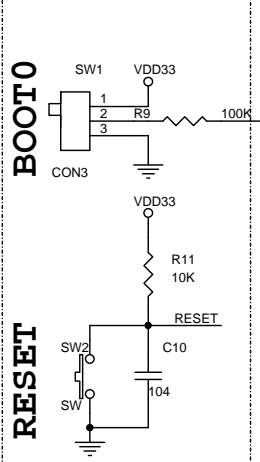


JTAG

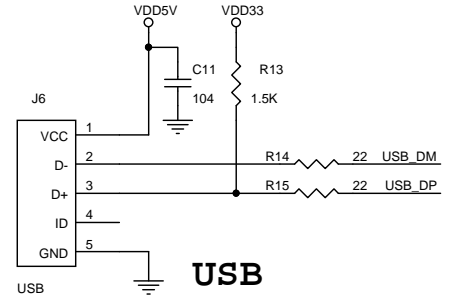


BOOT0

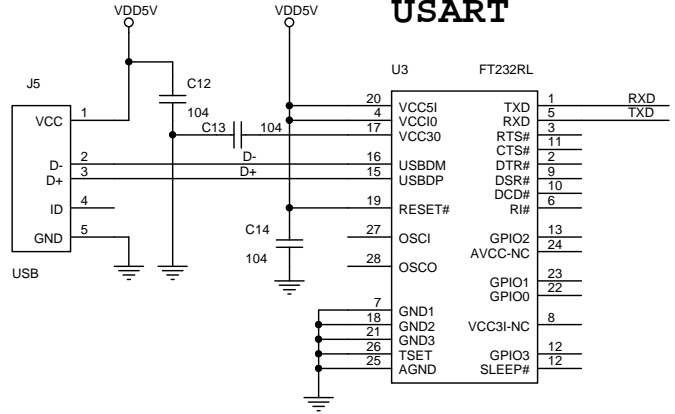
RESET



USB



USART



www.BoardFree.kr
BL-211

Title		<Title>
Size	Document Number	Rev
B	<Doc>	<RevCode>
Date:	Friday, December 08, 2017	Sheet 1 of 1