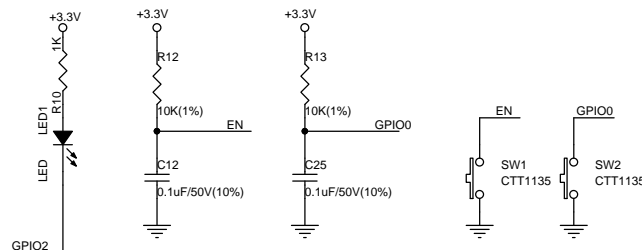
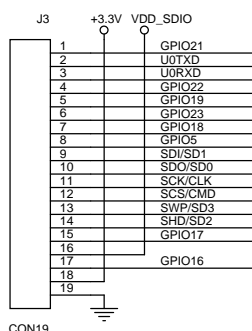
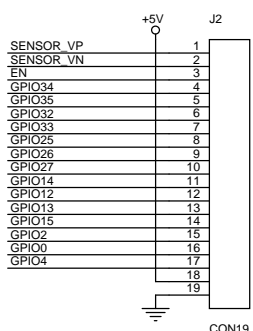
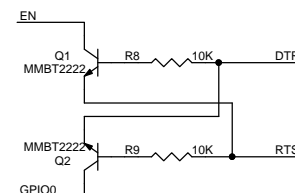
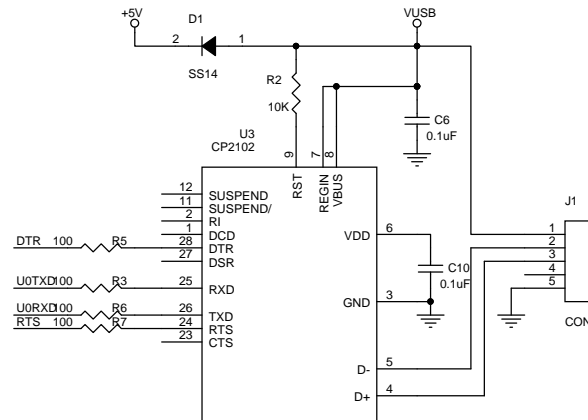
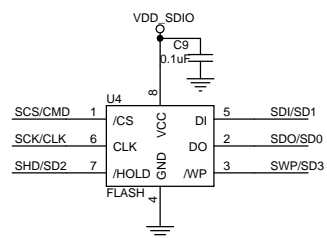
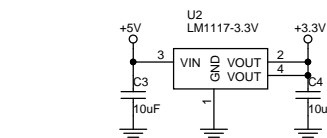
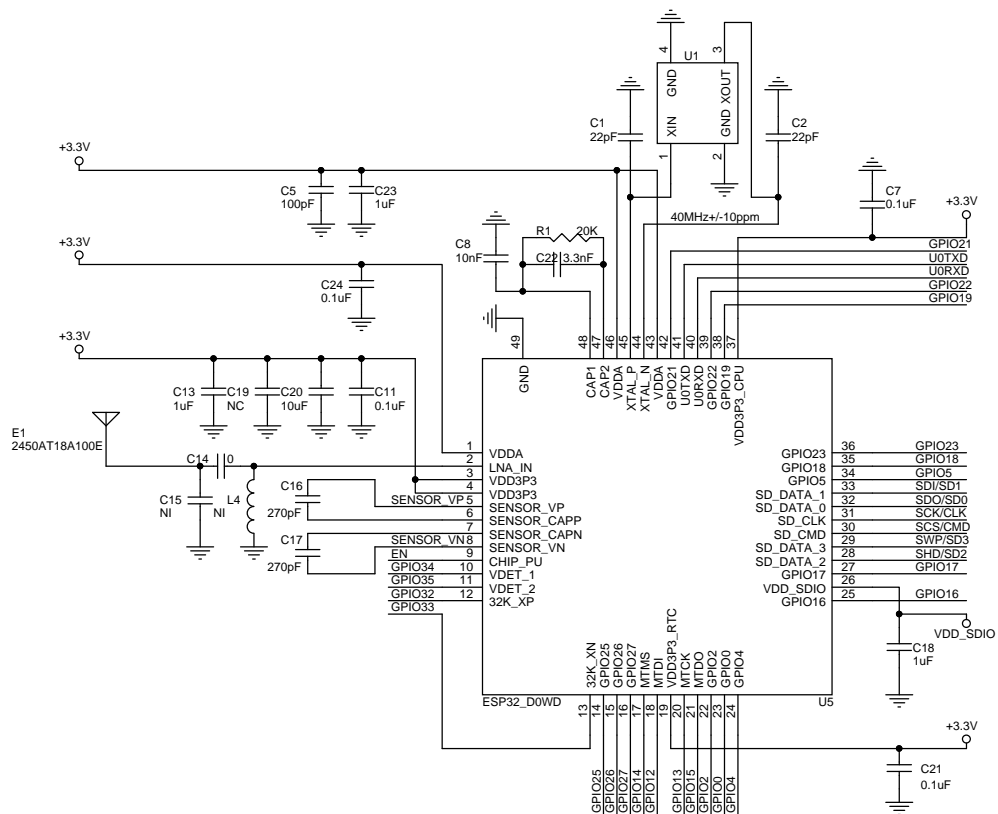


# www.BoardFree.kr BL-215



Title		
<Title>		
Size	Document Number	Rev
A3	<Doc>	<RevCode>
Date:	Tuesday, November 06, 2018	Sheet 1 of 1