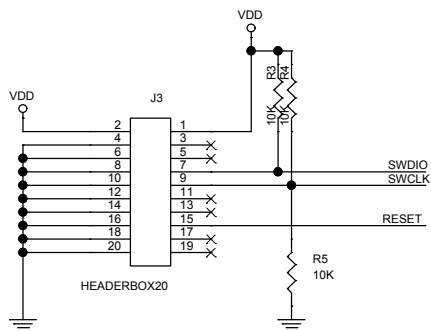
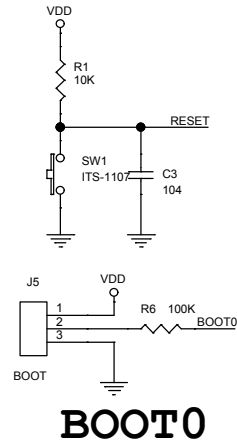


JTAG

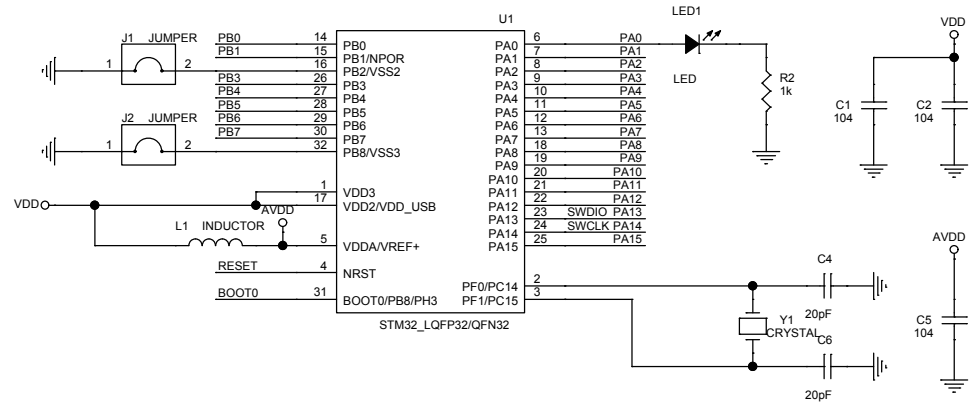


RESET

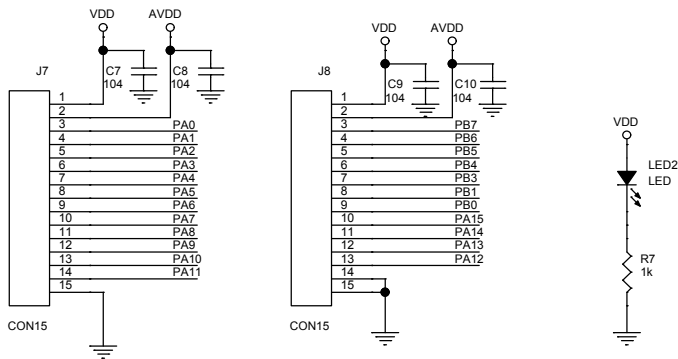


BOOT0

MCU



I/O



BL-217

www.BoardFree.kr