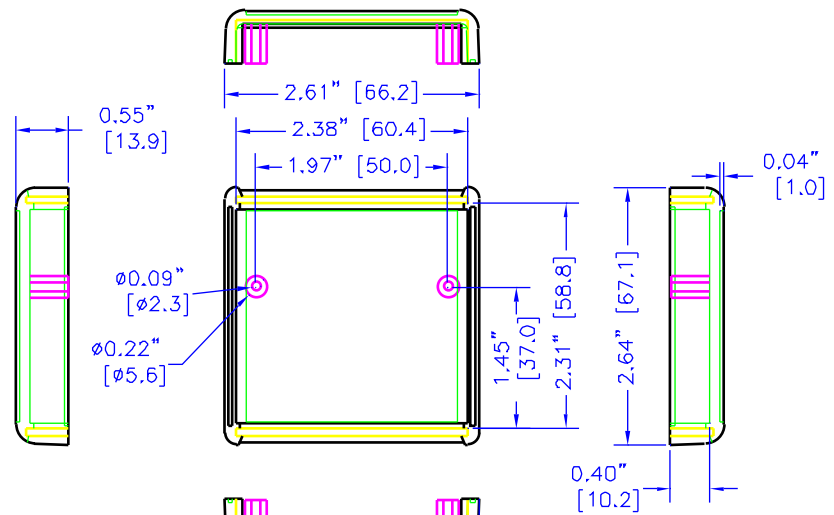
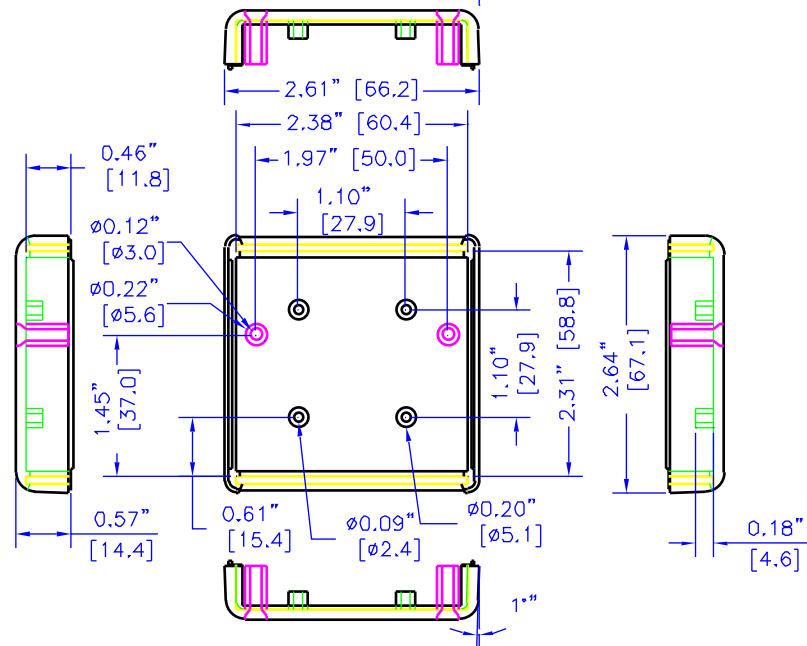


NOTES

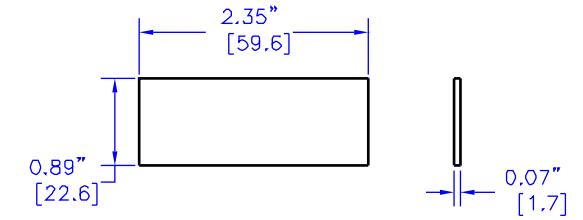
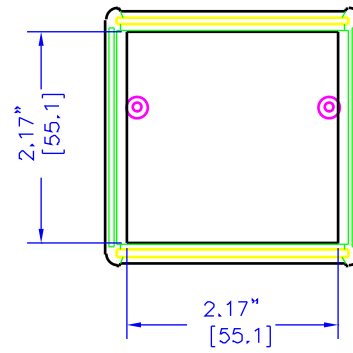
MATERIAL MOLDED USING GENERAL PURPOSE ABS PLASTIC
 PARTS COMES WITH SELF TAPPING, OVAL HEAD TYPE, #4 X 0.625" SCREWS, REPLACEMENT
 COLOR PART NUMBER 1593MS100 - PACKAGE OF 100, CHOICE OF BLACK OR GRAY,



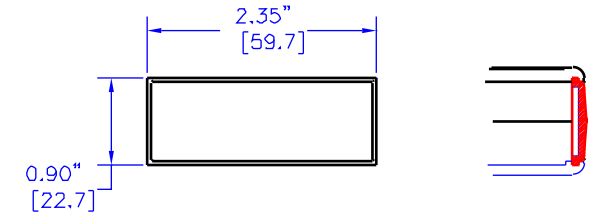
TOP HALF



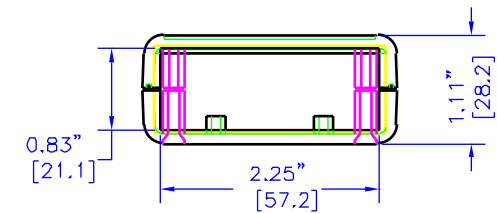
BOTTOM HALF



FLAT FRONT PANEL
 2 SHIPPED WITH ENCLOSURE
 IR TRANSLUSCENT PANELS AVAILAB.E
 PART NUMBER 1593PIR10



CONTOURED FRONT PANEL
 2 SHIPPED WITH ENCLOSURE



ASSEMBLED VIEW

THIS DRAWING IS PROPRIETARY INFORMATION OF HAMMOND MFG.CO.LTD, NOT TO BE USED WITHOUT EXPRESSED WRITTEN PERMISSION OF HAMMOND MFG.CO.LTD.

Rev	ECN	Description	Date	By
	N/A	RELEASE	09/12/02	MJM

Unless otherwise spec'd dimensions are in inches
 Tolerances are:
 .X ± .1
 .XX ± .02
 .XXX ± .010
 .XXXX ± .0050
 Holes ± .0050
 Angles ± .5°

Own	R. BOEHLER
Date	09/12/02
Chk	---
Mat'l	ABS PLASTIC
Sheet	1 of 1

HAMMOND MANUFACTURING CO. LTD.
 Electronics Group, Waterloo, Ont. - Chesham, NY
 www.hammondmg.com

HAMMOND 1593 SERIES

Part#: 1593K Dwg: 1593K/A