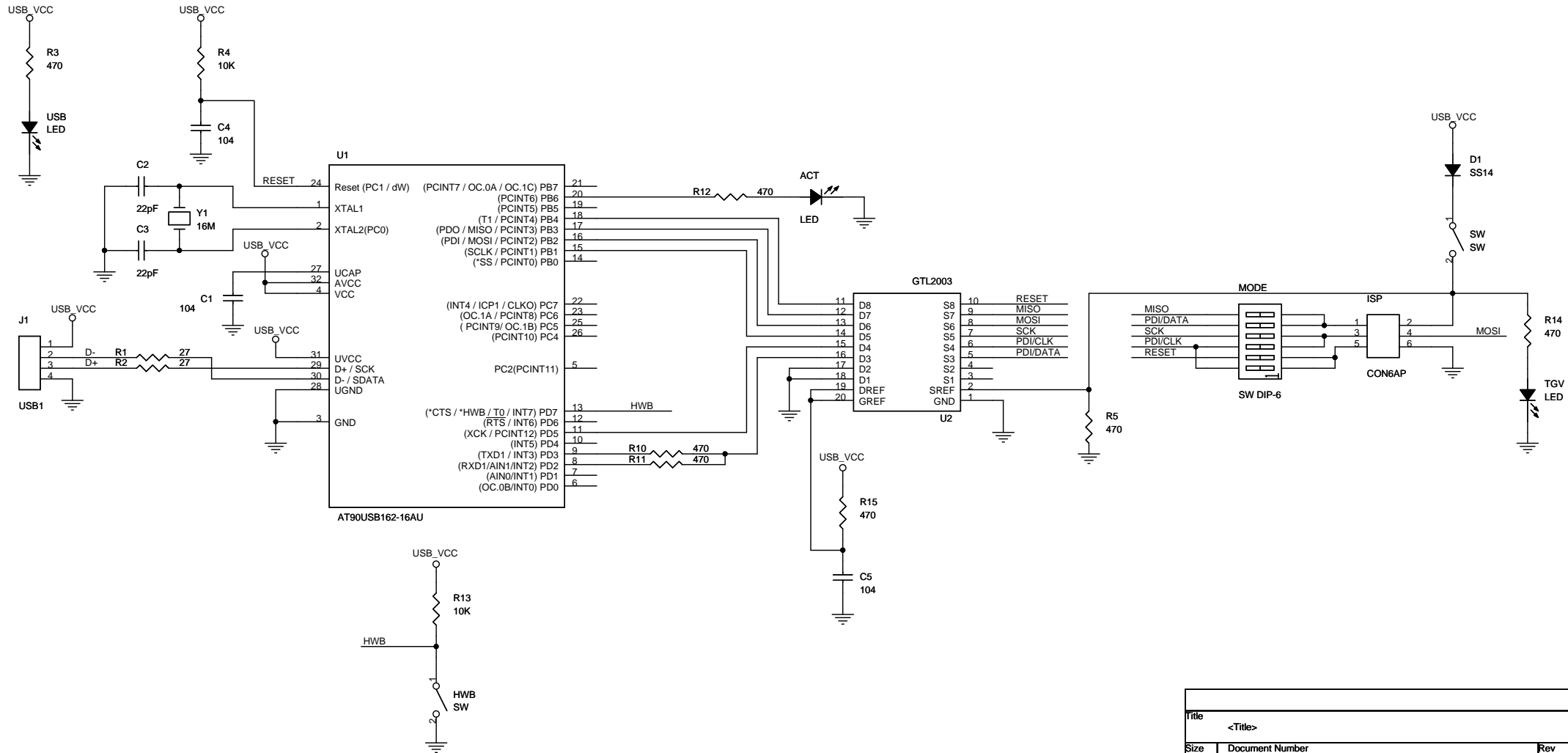


# www.BoardFree.kr BL-033



|       |                       |              |
|-------|-----------------------|--------------|
| Title |                       | <Title>      |
| Size  | Document Number       | Rev          |
| B     | <Doc>                 | <RevCode>    |
| Date: | Friday, June 15, 2012 | Sheet 1 of 1 |