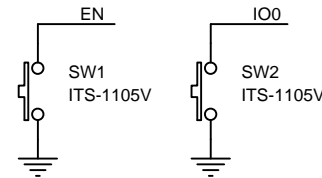
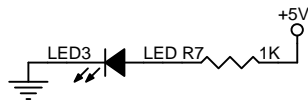
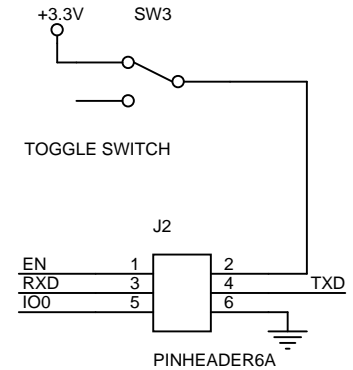
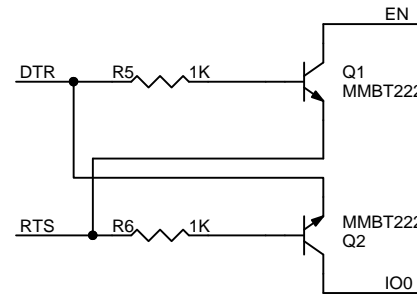
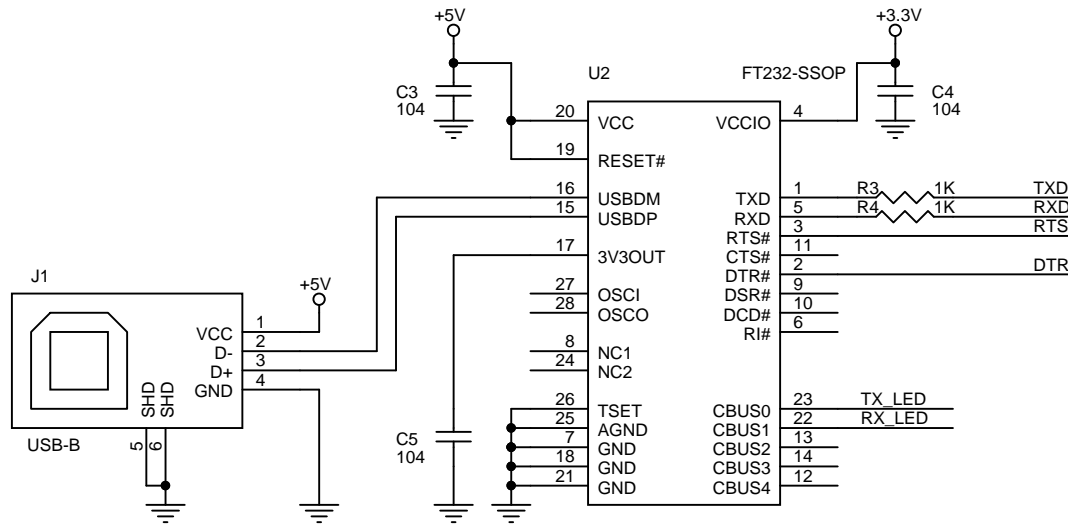


TXLED
RXLED



Title <Title>		
Size A4	Document Number <Doc>	Rev <Rev>
Date:	Wednesday, September 18, 2019	Sheet 1 of 1