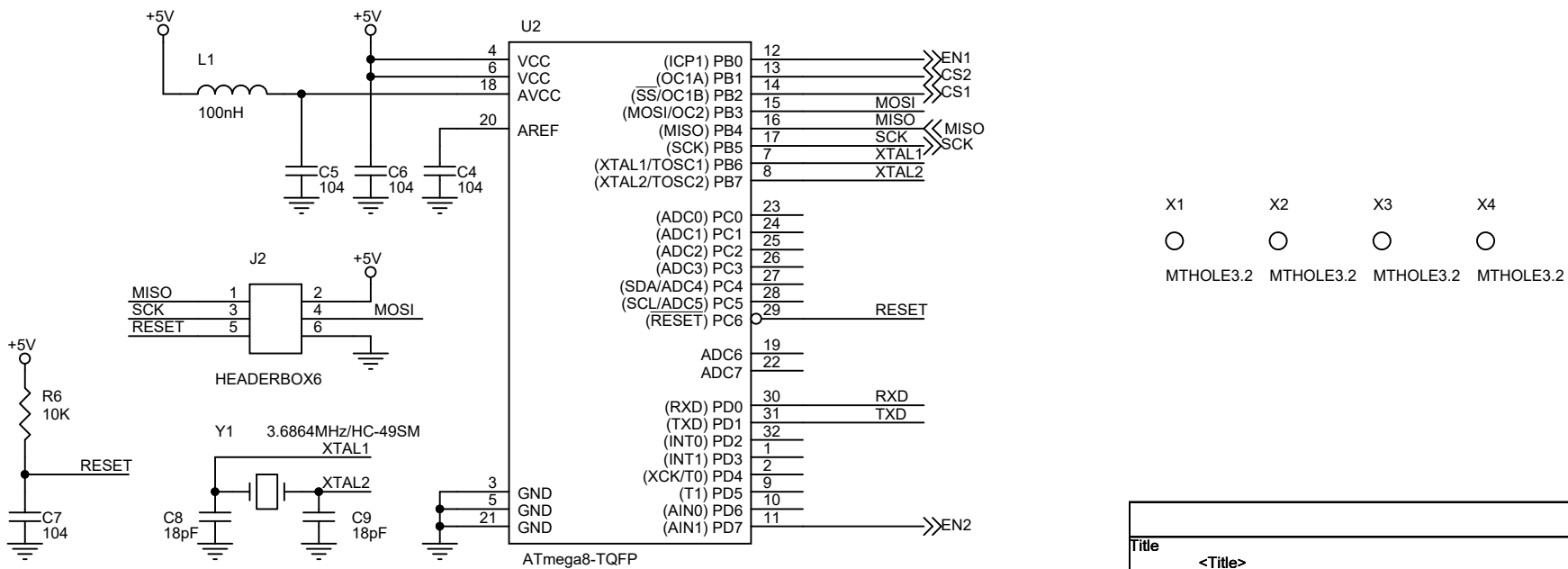
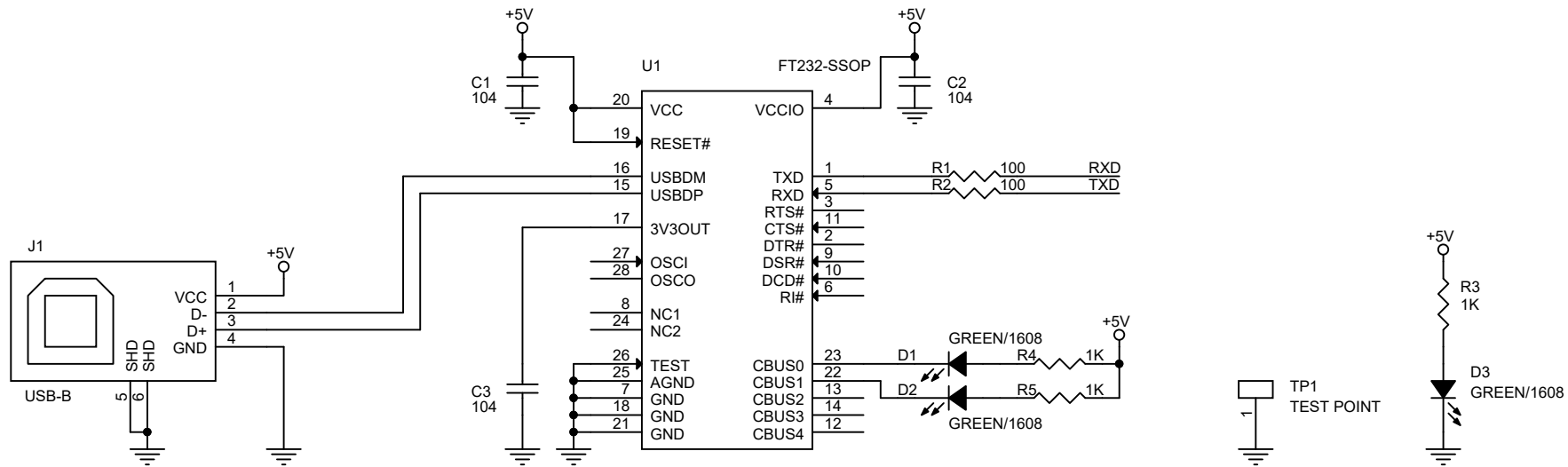
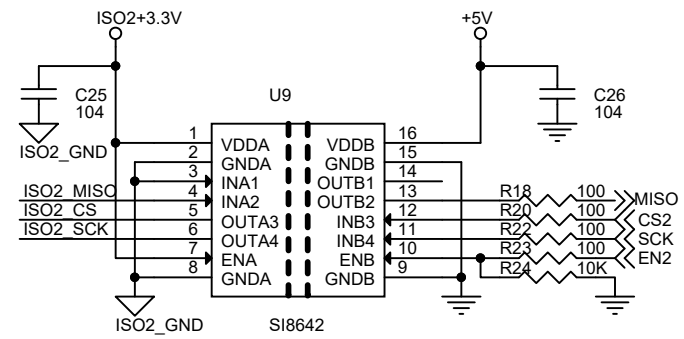
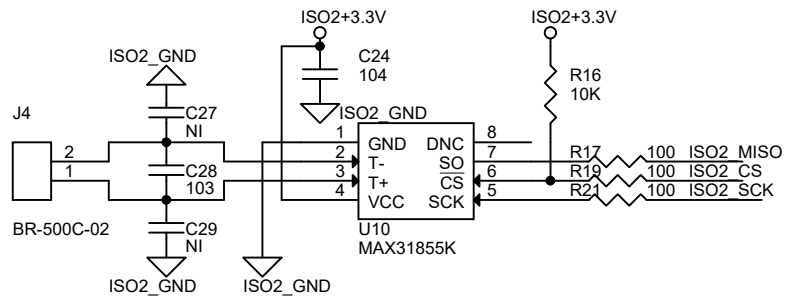
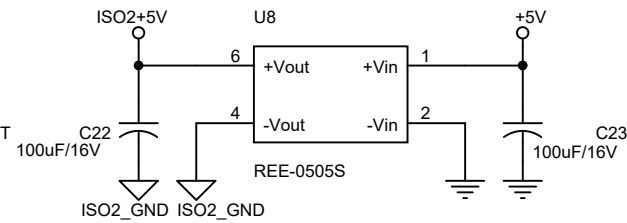
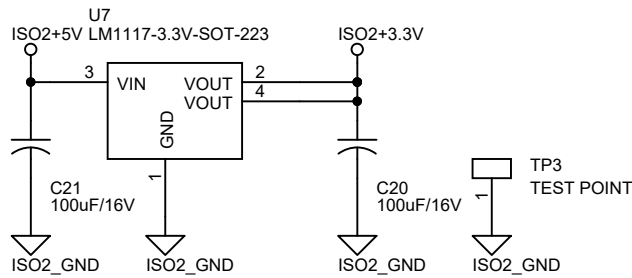
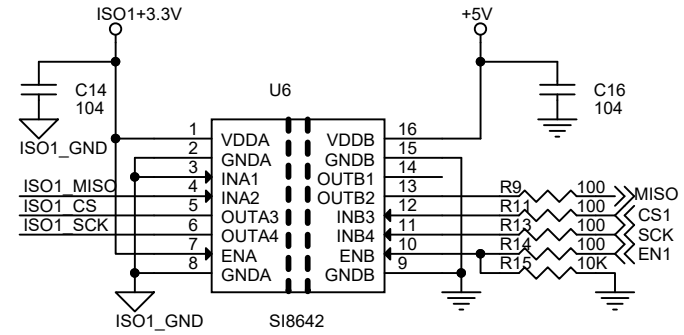
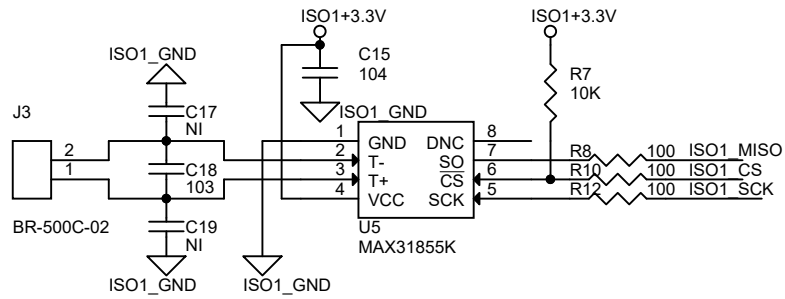
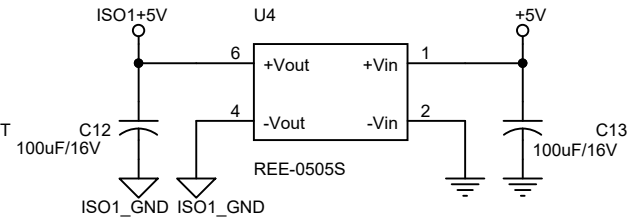
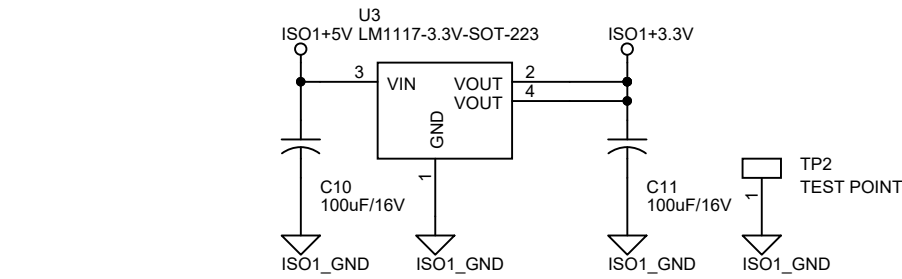


www.BoardFree.kr BL-155



Title		<Title>
Size	Document Number	Rev
A4	1	1.0
Date:	Friday, April 16, 2021	Sheet 1 of 2



Title		
<Title>		
Size	Document Number	Rev
A4	1	1.0
Date:	Monday, April 19, 2021	Sheet 2 of 2