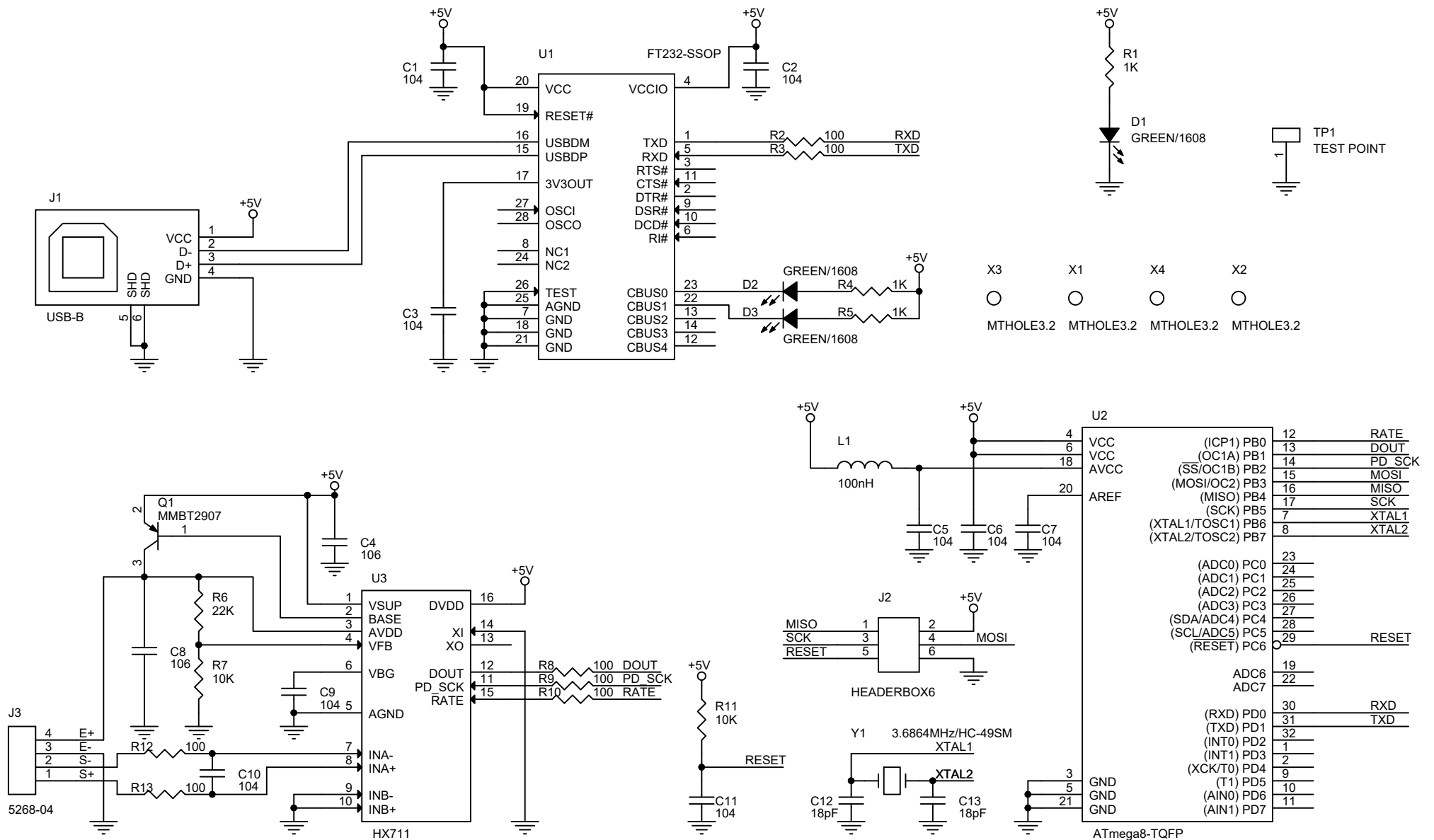


# www.BoardFree.kr BL-156



|         |                        |              |
|---------|------------------------|--------------|
| Title   |                        |              |
| <Title> |                        |              |
| Size    | Document Number        | Rev          |
| A4      | 1                      | 1.0          |
| Date:   | Friday, April 16, 2021 | Sheet 1 of 1 |