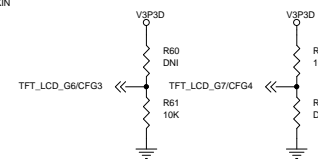
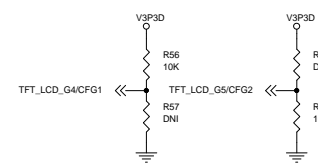
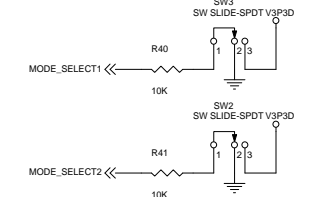
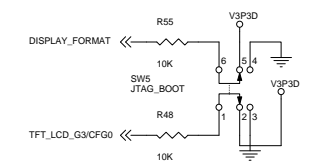
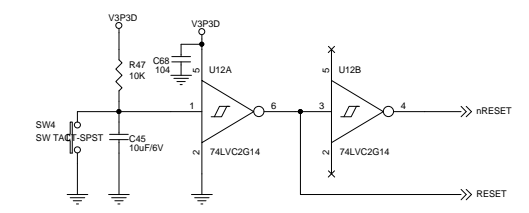
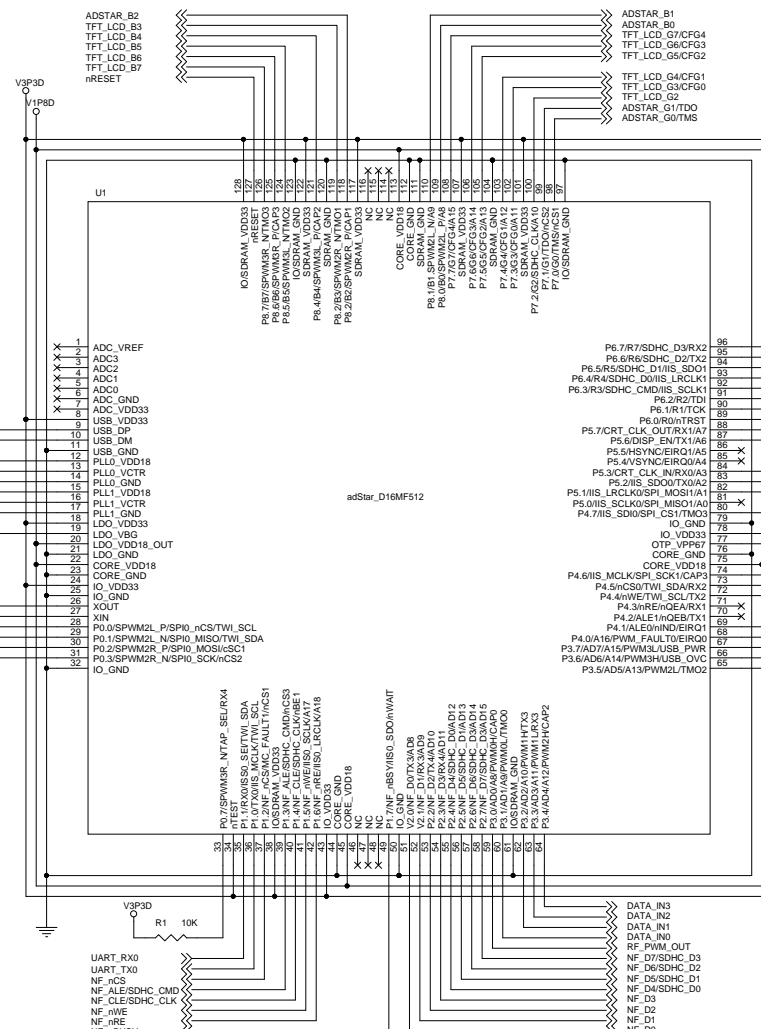
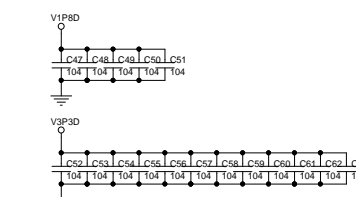
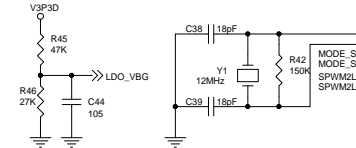
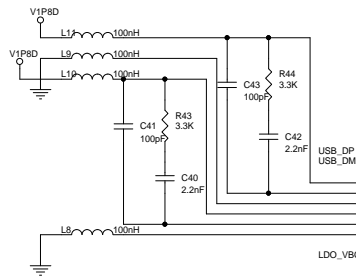
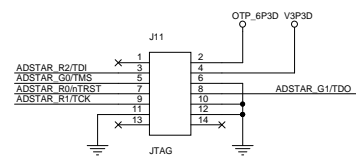
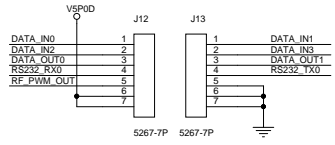


www.BoardFree.kr BL-528



Title			<Title>
Size			<Doc>
Date:			Thursday, May 24, 2018
Sheet			1 of 1

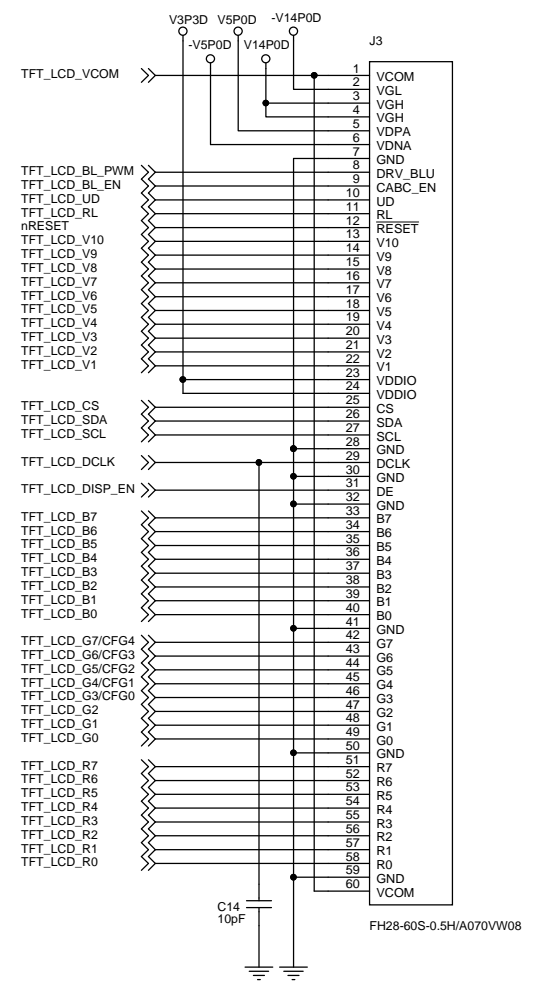
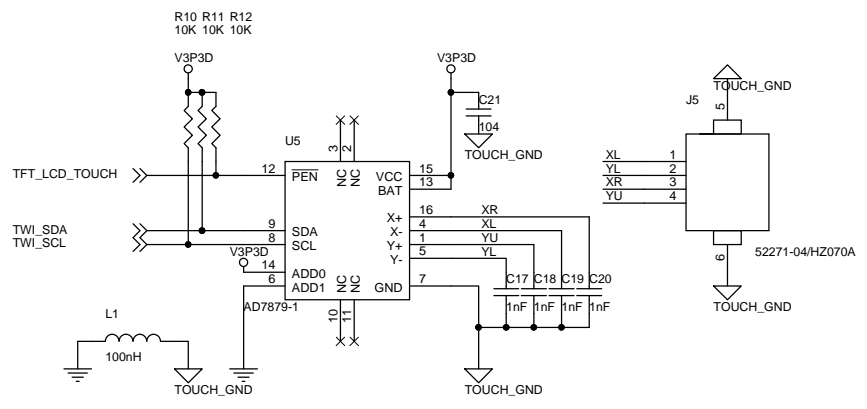
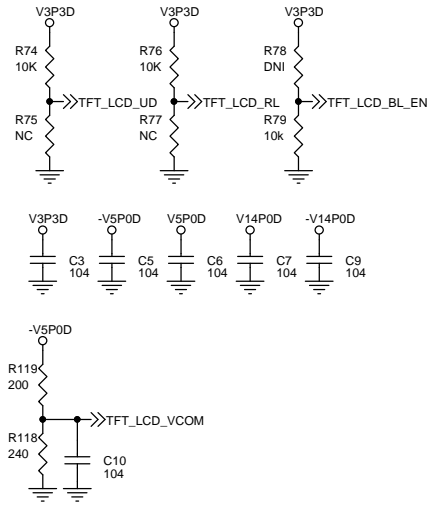
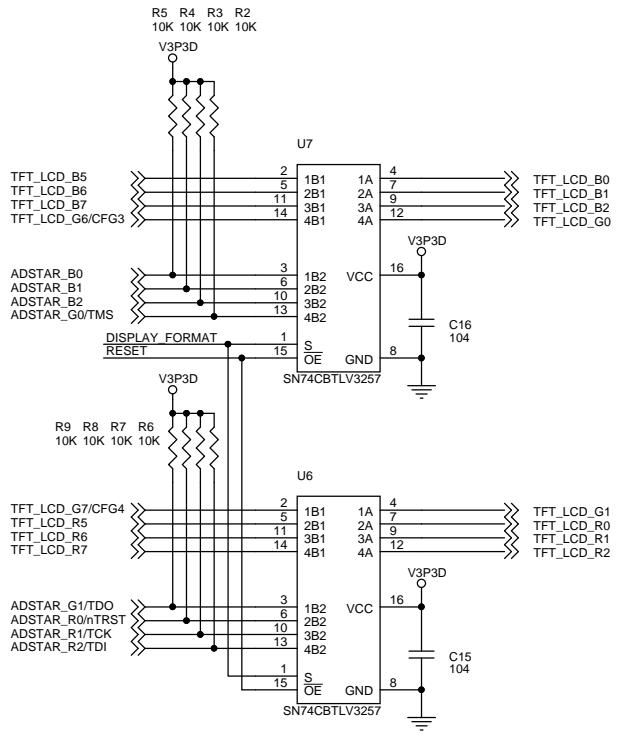
5

4

3

2

1



Title		
<Title>		
Size	Document Number	Rev
B	<Doc>	<Rev>
Date:	Thursday, May 24, 2018	Sheet 1 of 1

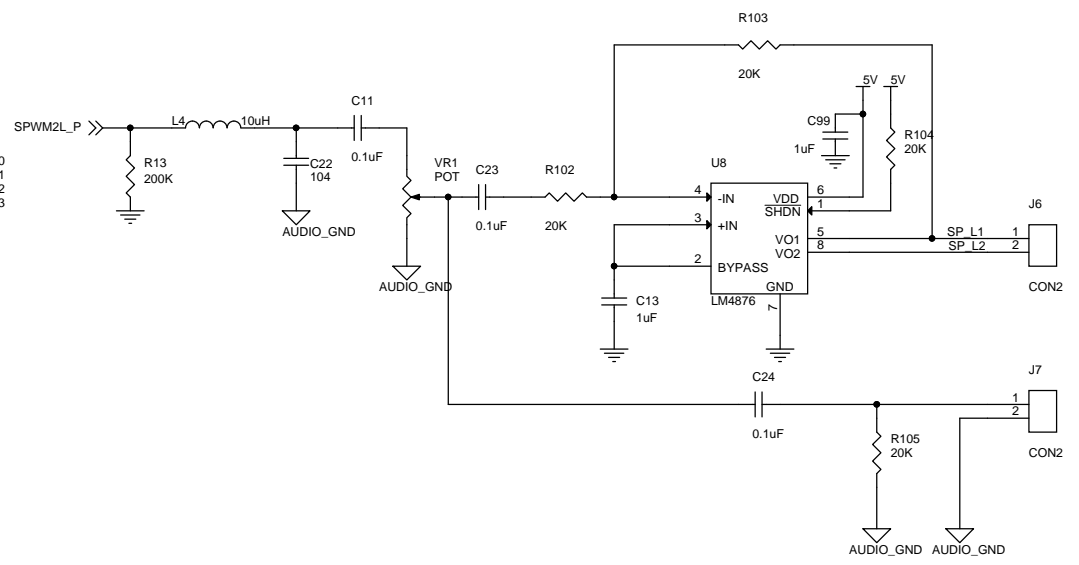
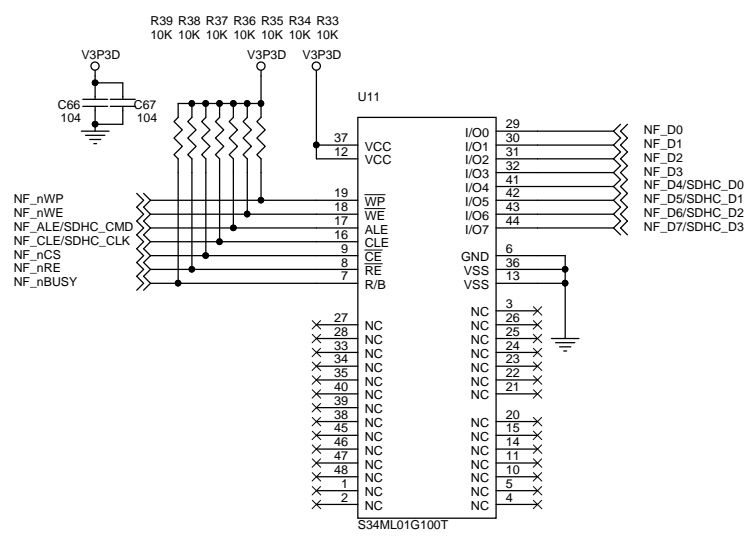
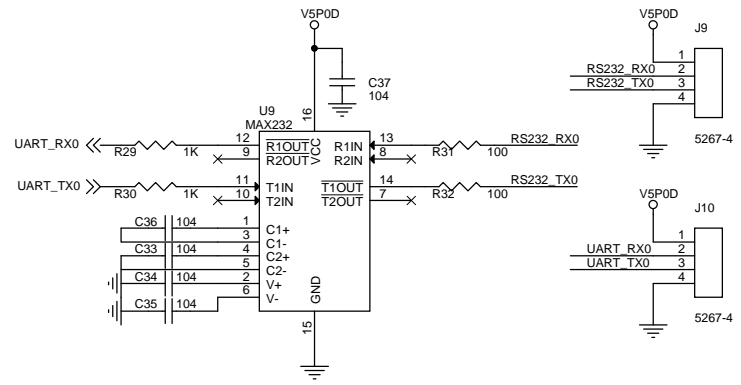
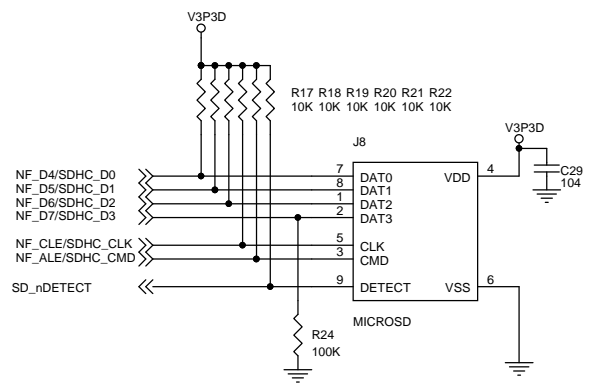
5

4

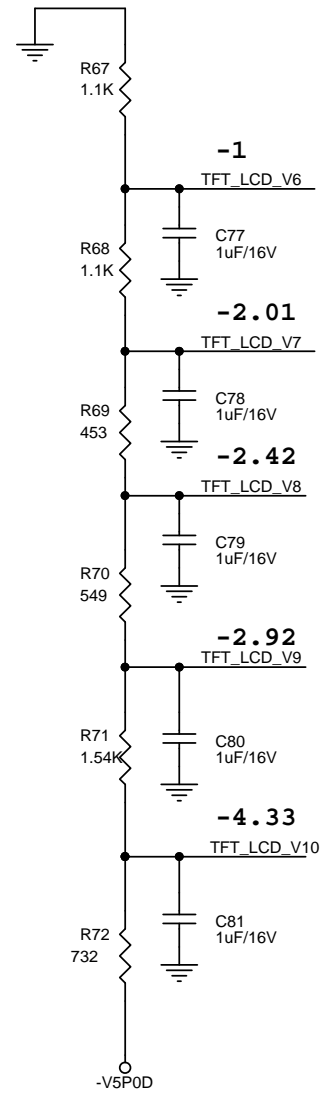
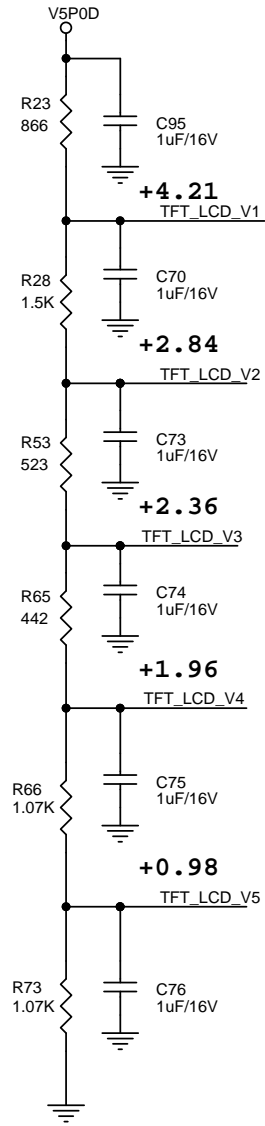
3

2

1



Title		
<Title>		
Size	Document Number	Rev
B	<Doc>	<Rev>
Date:	Thursday, May 24, 2018	Sheet 1 of 1



Title		
<Title>		
Size	Document Number	Rev
A4	<Doc>	
Date:	Thursday, May 24, 2018	Sheet 1 of 1