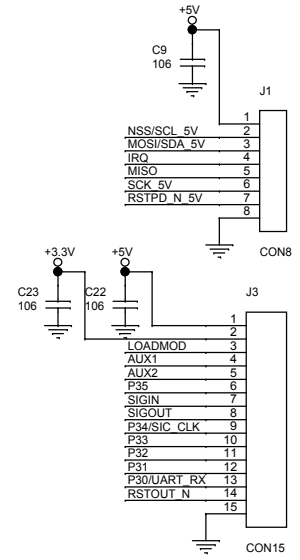
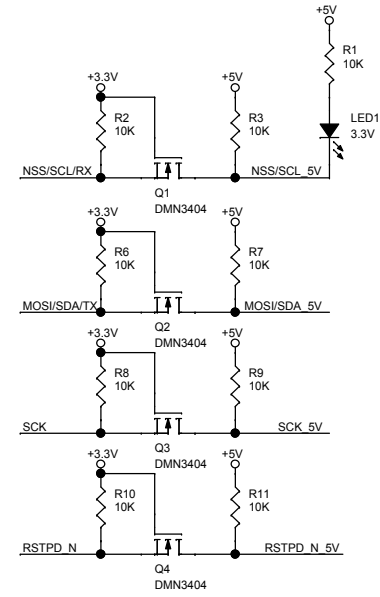
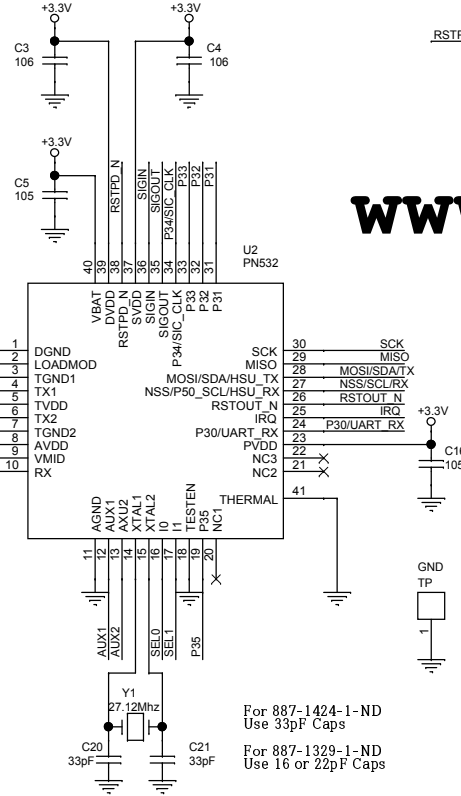
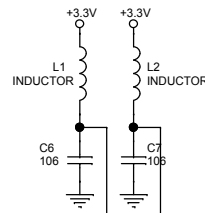
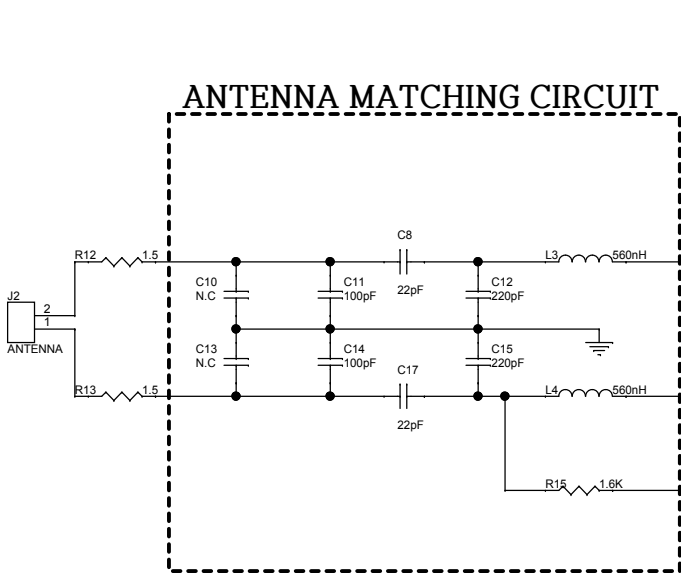


	UART	SPI	I2C
JP1	CLOSE	CLOSE	OPEN
JP2	OPEN	CLOSE	OPEN



### ANTENNA MATCHING CIRCUIT



For 887-1424-1-ND  
Use 33pF Caps

For 887-1329-1-ND  
Use 16 or 22pF Caps

[www.BoardFree.kr](http://www.BoardFree.kr)  
**BL-557A**