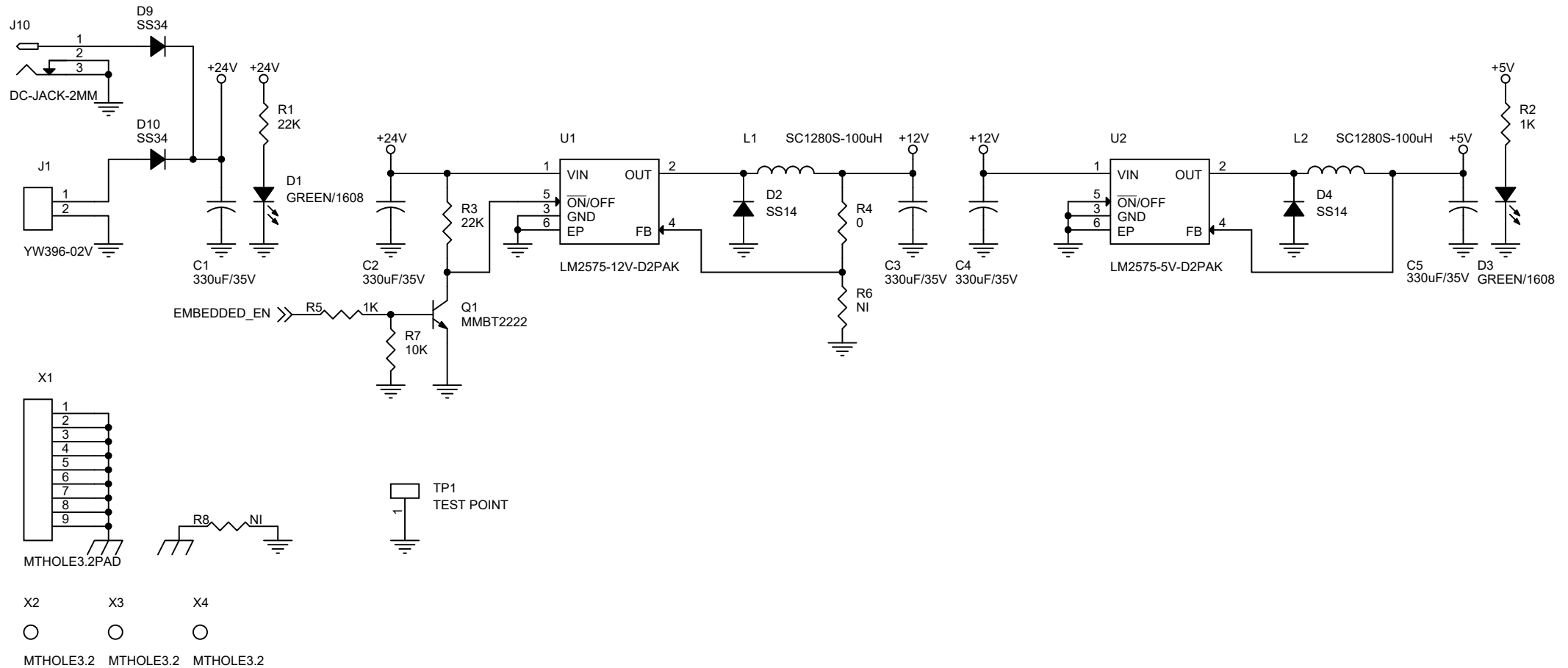


www.BoardFree.kr BL-571

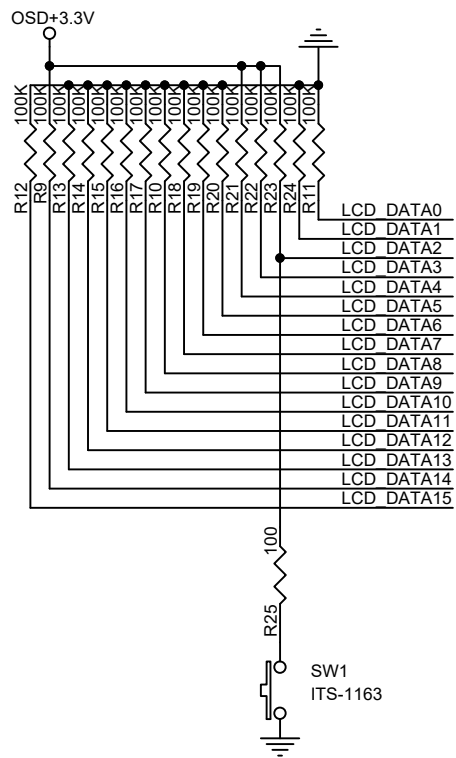
X5



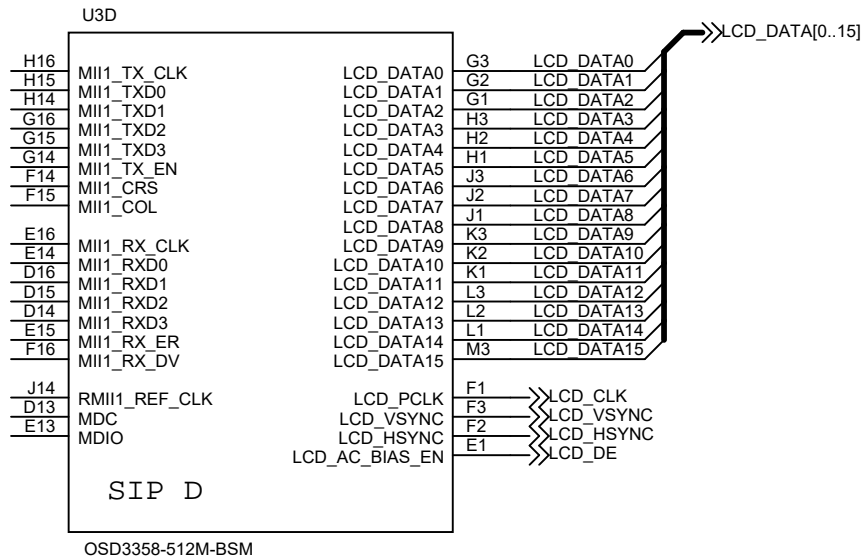
BOARDFREE



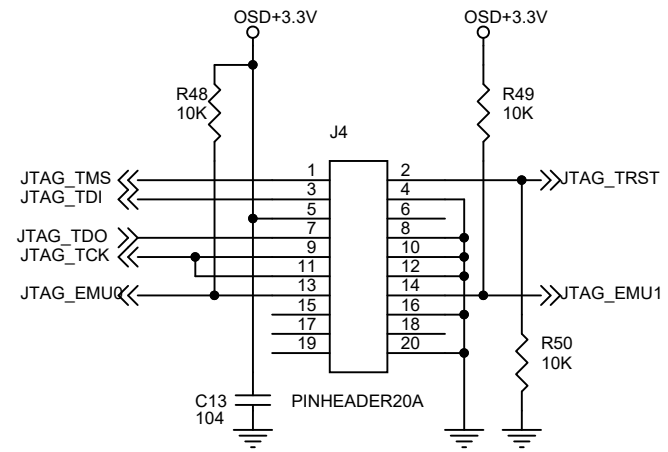
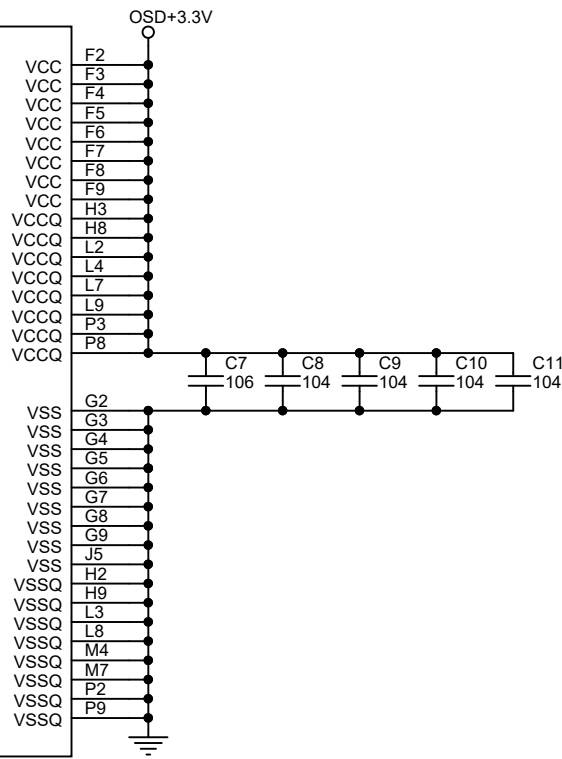
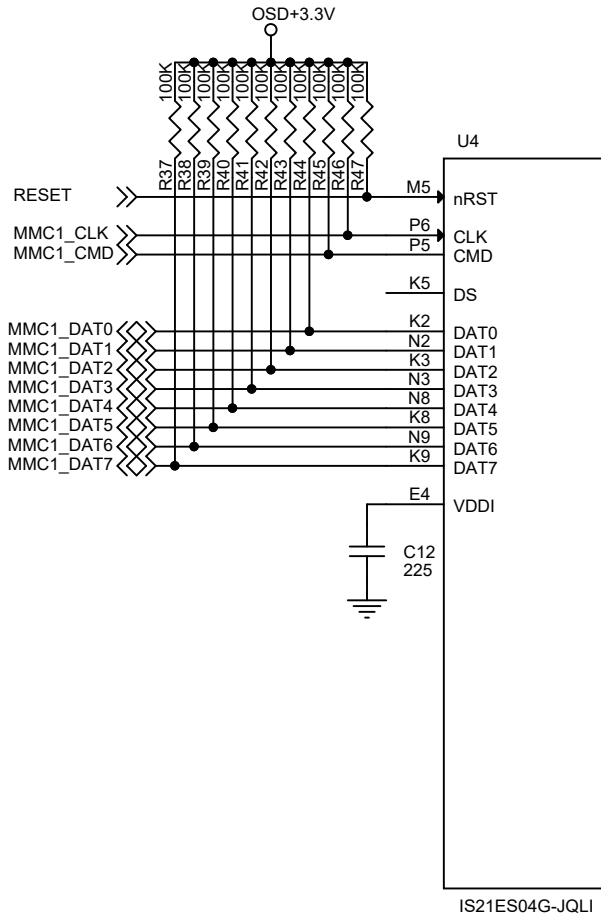
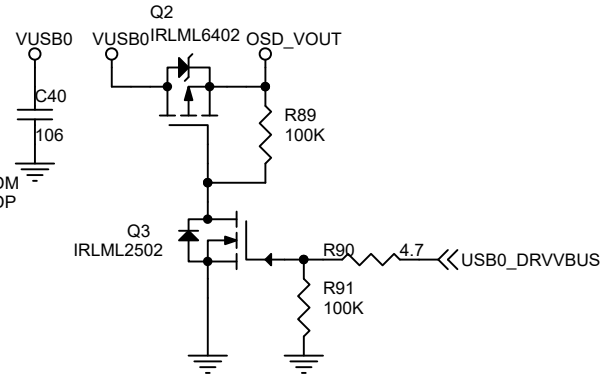
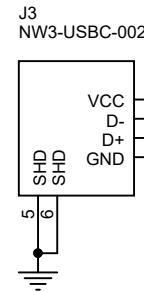
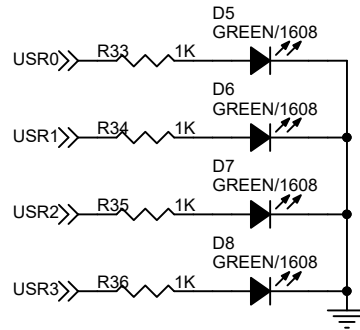
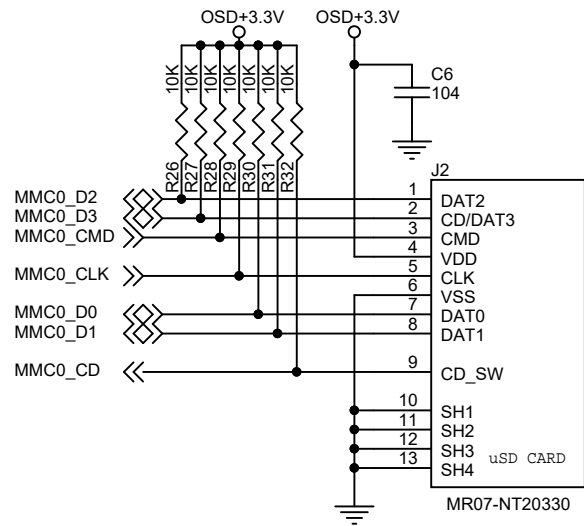
| | | |
|---------|----------------------|--------------|
| Title | | |
| <Title> | | |
| Size | Document Number | Rev |
| A4 | 1 | 1.0 |
| Date: | Monday, May 31, 2021 | Sheet 1 of 7 |



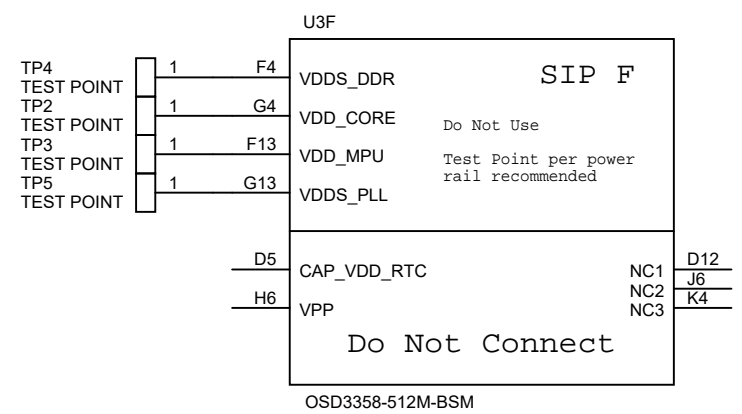
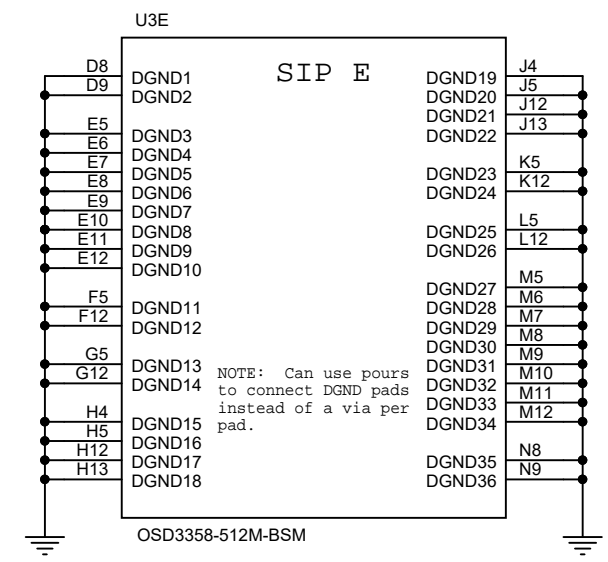
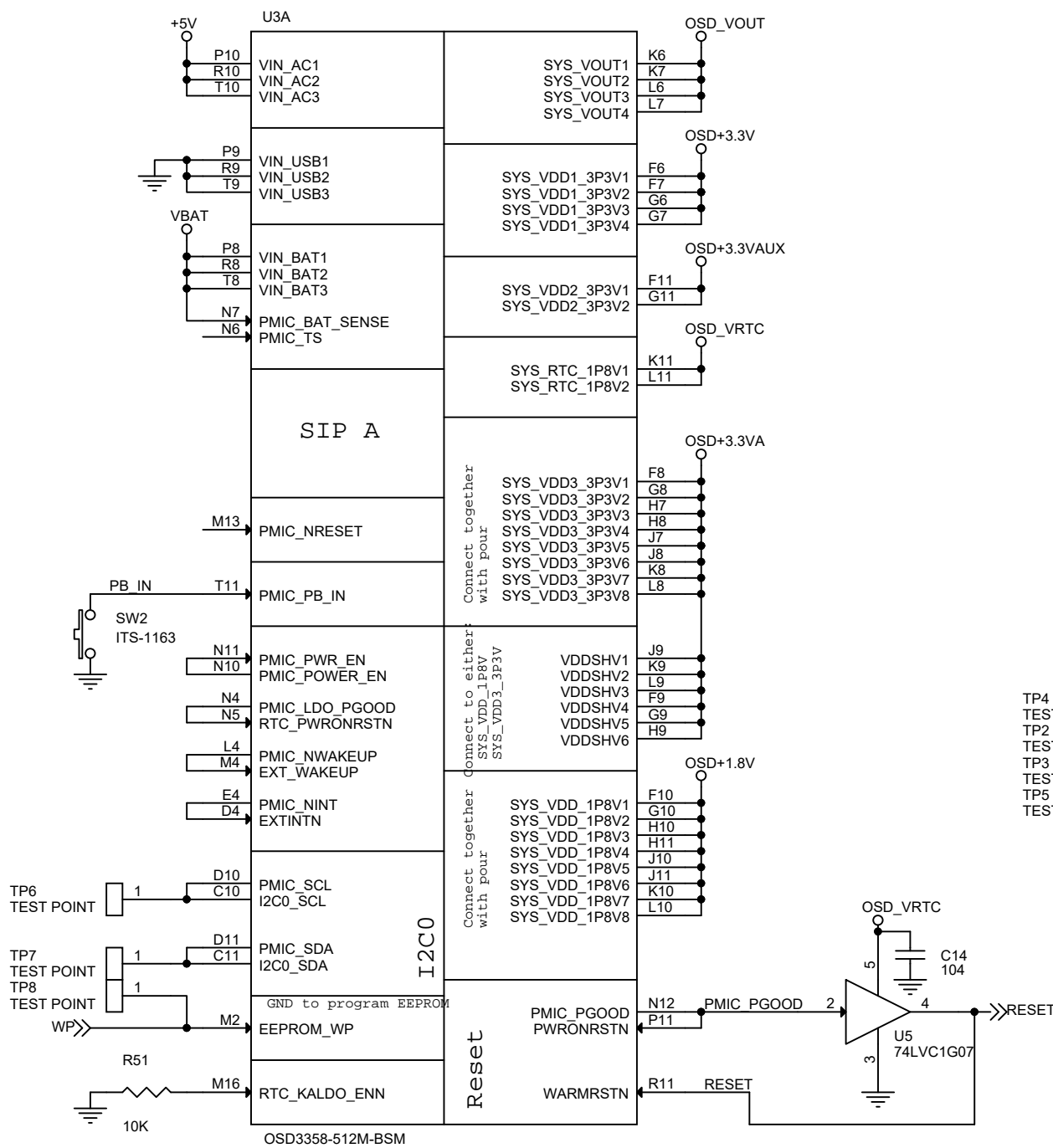
OPEN : BOOT FROM EMMC
 CLOSE : BOOT FROM SD CARD



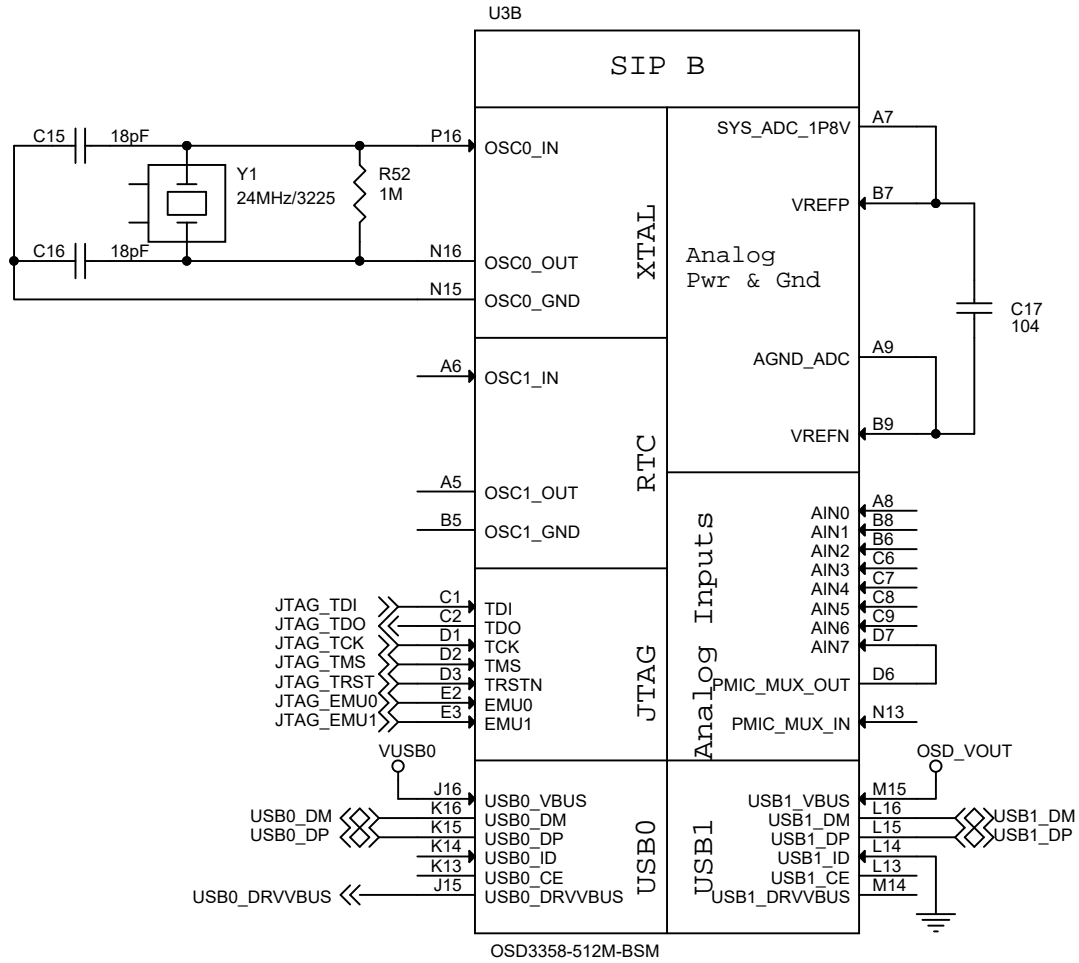
| | | |
|---------|----------------------|--------------|
| Title | | |
| <Title> | | |
| Size | Document Number | Rev |
| A4 | 1 | 1.0 |
| Date: | Monday, May 03, 2021 | Sheet 2 of 7 |



| | | |
|---------|------------------------|--------------|
| Title | | |
| <Title> | | |
| Size | Document Number | Rev |
| A4 | 1 | 1.0 |
| Date: | Thursday, May 06, 2021 | Sheet 3 of 7 |

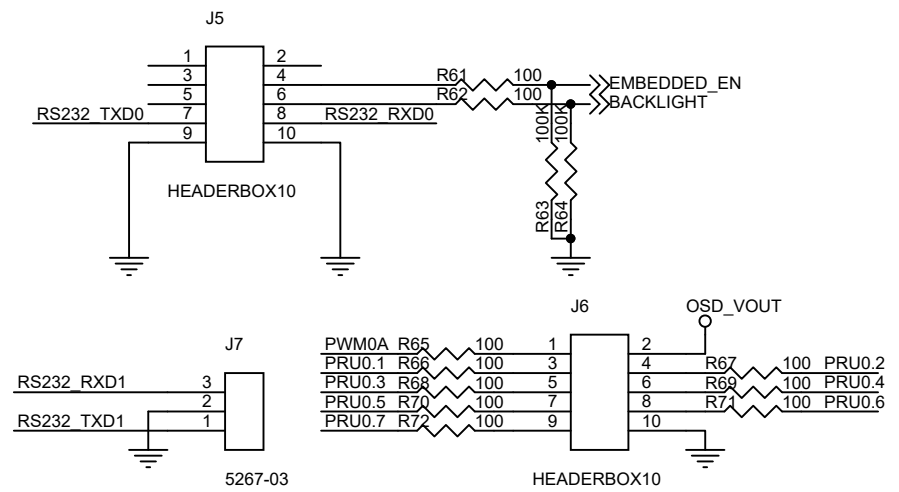
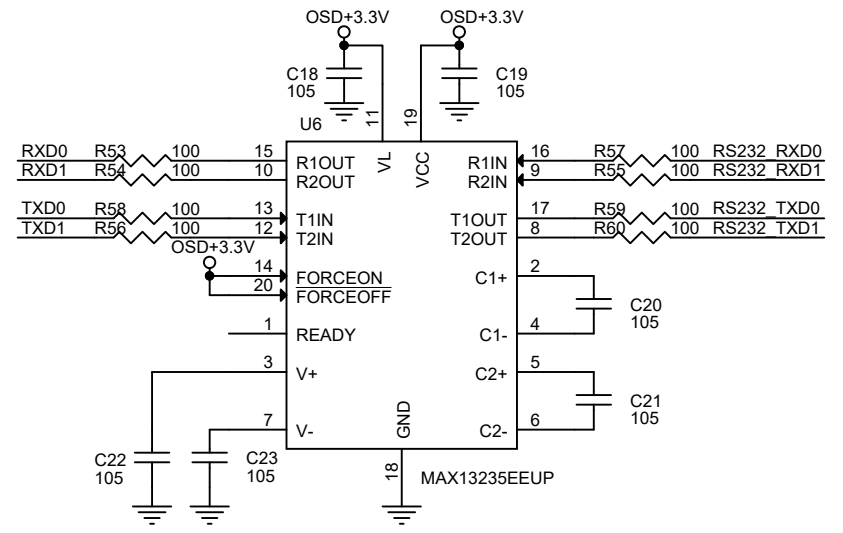
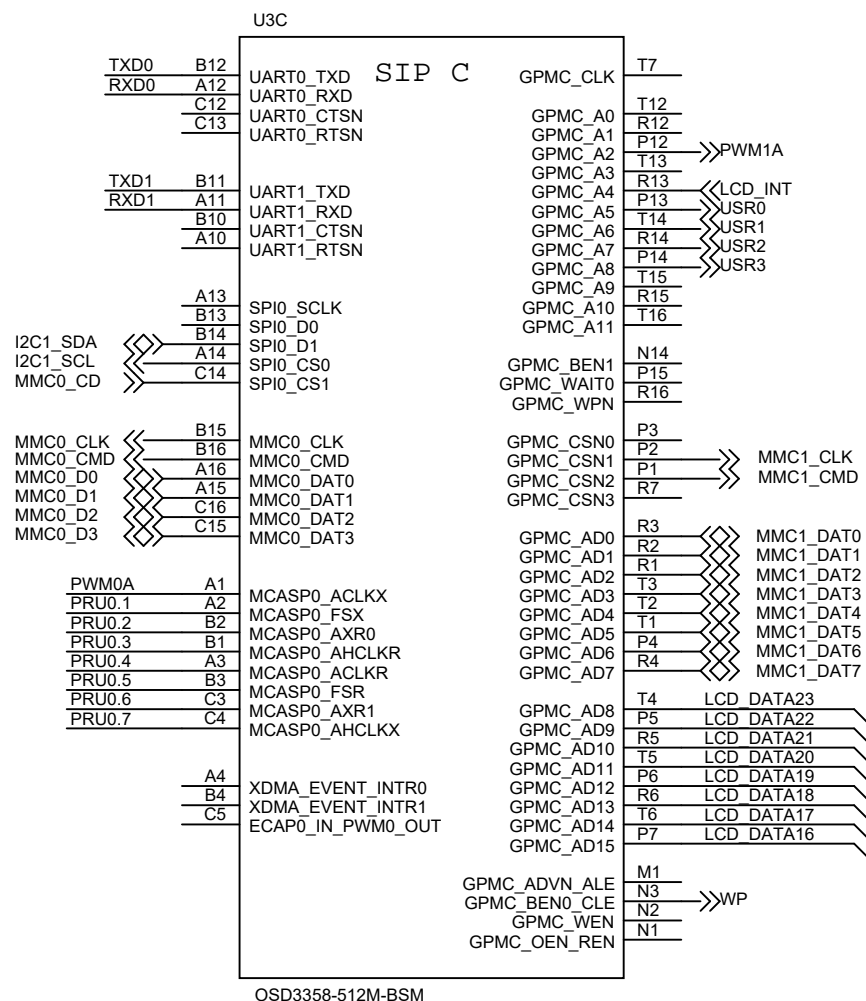


| | | |
|---------|-----------------------|--------------|
| Title | | |
| <Title> | | |
| Size | Document Number | Rev |
| A4 | 1 | 1.0 |
| Date: | Tuesday, May 04, 2021 | Sheet 4 of 7 |

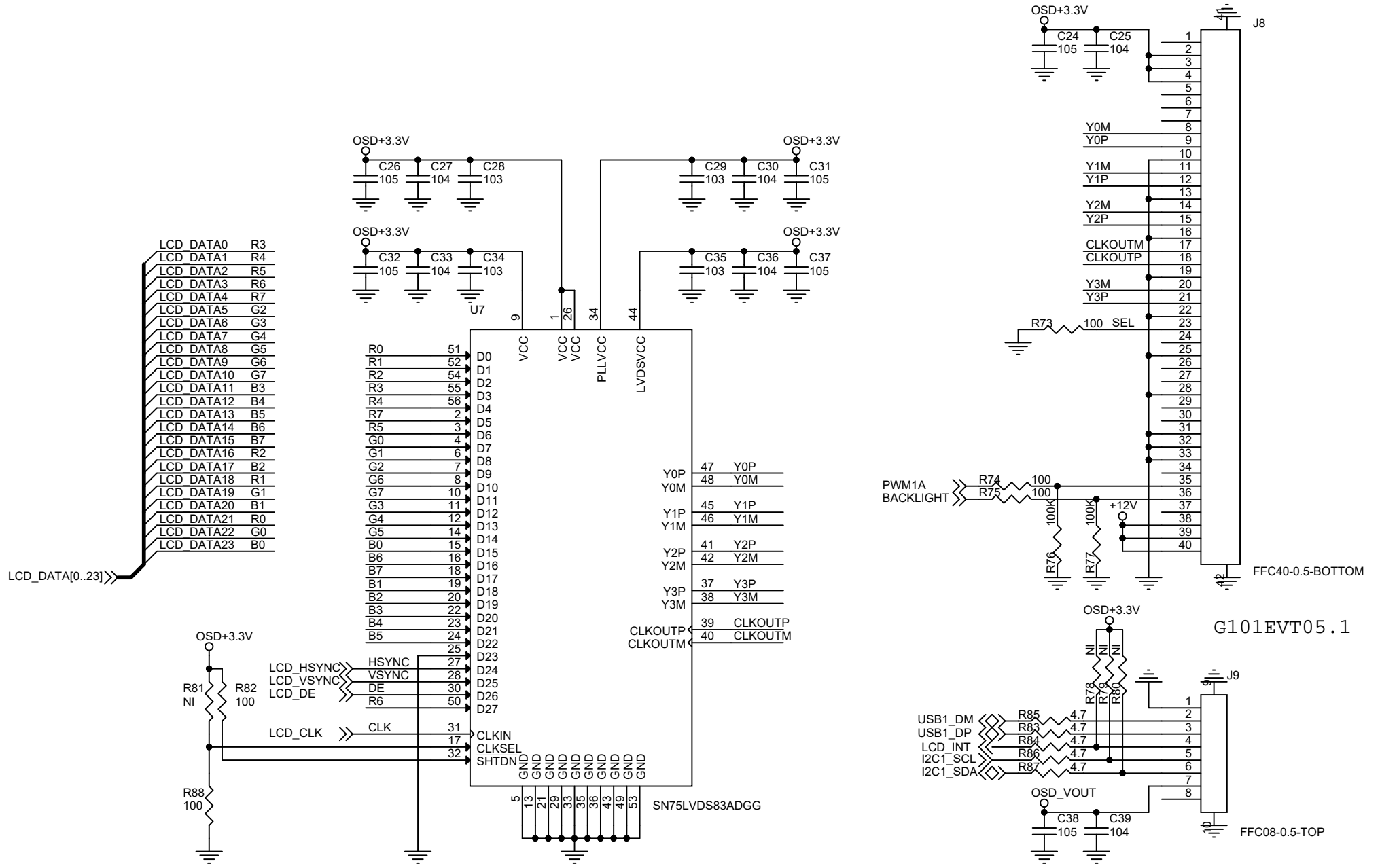


OSD3358-512M-BSM

| | | |
|---------|------------------------|--------------|
| Title | | |
| <Title> | | |
| Size | Document Number | Rev |
| A4 | 1 | 1.0 |
| Date: | Thursday, May 06, 2021 | Sheet 5 of 7 |



| | | |
|---------|----------------------|--------------|
| Title | | |
| <Title> | | |
| Size | Document Number | Rev |
| A4 | 1 | 1.0 |
| Date: | Monday, May 03, 2021 | Sheet 6 of 7 |



| | | |
|---------|----------------------|--------------|
| Title | | |
| <Title> | | |
| Size | Document Number | Rev |
| A4 | 1 | 1.0 |
| Date: | Friday, May 28, 2021 | Sheet 7 of 7 |